

2016-2017



HOSE CLAMP  
TUBE FITTING  
METAL STRUCTURE



## NINGBO JUNE HARDWARE LIMITED

NO.282/288, CHENGBO RD, NO.668 LIYUANBEI SRT, NINGBO, PRC  
TEL: 0086 574 56877027  
FAX: 0086 574 56877026  
Http: [www.june-hardware.com](http://www.june-hardware.com) [www.june-hardware.en.alibaba.com](http://www.june-hardware.en.alibaba.com)  
E-mail: [export@june-hardware.com](mailto:export@june-hardware.com)

JUNE HARDWARE



# PRODUCT LIST

# AMERICAN TYPE HOSE CLAMP



HOSE CLAMP 1-9



STRUT CLAMP 29-30



T-BOLT CLAMP 8-9



HVAC PARTS 31



SUPER CLAMP 10-15



CHANNEL & FITTINGS 32-44



PIPE CLAMP 16-20



PIPE FITTINGS 45-52



M7 CLAMP 21-22



QUICK COUPLING 53



RUBBER CLAMP 23-24



CABLE TIE 54



SPRINKLER CLAMP 25-27



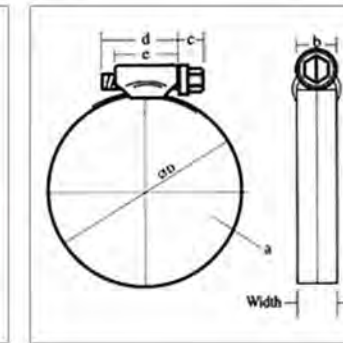
HYDROLIC CLAMP 55



U BOLT CLAMP 28



RIGGING HARDWARE 56-59



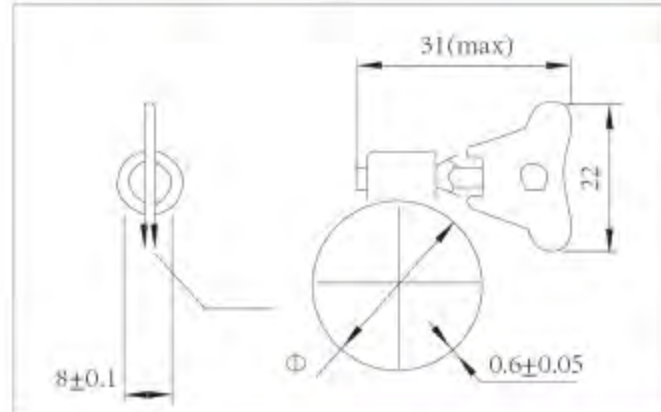
### Material:

- ★ W1: All parts steel zinc plated.
- ★ W2: Band & hosing stainless steel, screw zinc plated.
- ★ W4: All parts stainless steel

Code	Width(mm)	Size	Dia(mm)	a(mm)	b(mm)	c(mm)	d(mm)	e(mm)
101016	8.0	5/8"	10-16	0.6	10	5	13	12
101019	8.0	3/4"	13-19	0.6	10	5	13	12
101023	8.0	7/8"	16-23	0.6	10	5	13	12
101026	8.0	1"	13-26	0.6	10	5	13	12
101027	12.7	1-3/8"	23-26	0.6	10	5	13	12
101038	12.7	1-1/2"	21-38	0.6	10	5	13	12
101042	12.7	1-5/8"	19-42	0.6	10	5	13	12
101044	12.7	1-3/4"	19-44	0.7	15	8	22	19
101047	12.7	1-7/8"	29-47	0.7	15	8	22	19
101051	12.7	2"	32-51	0.7	15	8	22	19
101057	12.7	2-1/4"	38-57	0.7	15	8	22	19
101059	12.7	2-5/16"	38-59	0.7	15	8	22	19
101064	12.7	2-1/2"	40-64	0.7	15	8	22	19
101070	12.7	2-3/4"	46-70	0.7	15	8	22	19
101073	12.7	2-7/8"	51-73	0.7	15	8	22	19
101076	12.7	3"	57-76	0.7	15	8	22	19
101083	12.7	3-1/4"	67-83	0.7	15	8	22	19
101089	12.7	3-1/2"	65-89	0.7	15	8	22	19
101095	12.7	3-3/4"	72-95	0.7	15	8	22	19
101101	12.7	4"	78-101	0.7	15	8	22	19
101108	12.7	4-1/4"	84-108	0.7	15	8	22	19
101110	12.7	4-5/16"	92-110	0.7	15	8	22	19
101114	12.7	4-1/2"	91-114	0.7	15	8	22	19
101121	12.7	4-3/4"	105-121	0.7	15	8	22	19
101127	12.7	5"	105-127	0.7	15	8	22	19
101140	12.7	5-1/2"	118-140	0.7	15	8	22	19
101152	12.7	6"	130-152	0.7	15	8	22	19
101165	12.7	6-1/2"	141-165	0.7	15	8	22	19
101178	12.7	7"	156-178	0.7	15	8	22	19
101203	12.7	8"	165-203	0.7	15	8	22	19

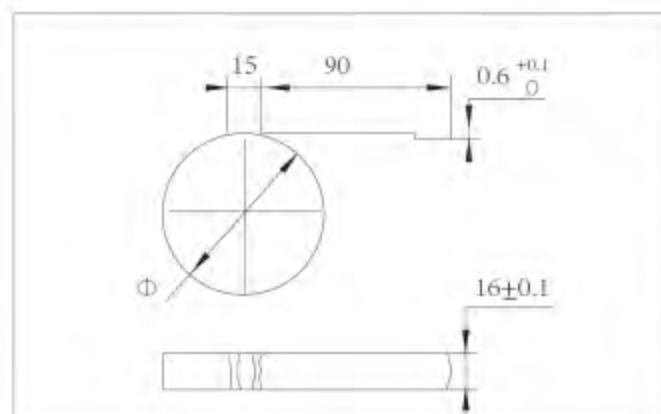


## BUTTERFLY HOSE CLAMP



Code	Dia(mm)	t(mm)	Width(mm)
110007	5-7	0.6	6
110009	7-9	0.6	7
110011	9-11	0.6	7
110013	11-13	0.6	7
110015	13-15	0.6	7.5
110018	15-18	0.6	7.5
110020	17-20	0.6	7.5
110023	20-23	0.6	9
110025	22-25	0.6	9
110027	23-27	0.6	9
110028	25-28	0.6	9
110031	27-31	0.6	9.5
110034	31-34	0.6	9.5
110037	34-37	0.6	9.5
110040	37-40	0.6	10
110043	40-43	0.6	10
110046	43-46	0.6	10

## THROBBING HOSE CLAMP



Code	Dia(mm)	t(mm)	Width(mm)
122001	32	0.6	16
122002	35	0.6	16
122003	38	0.6	16
122004	44	0.6	16
122005	51	0.6	16
122006	57	0.6	16
122007	64	0.6	16
122008	70	0.6	16
122009	76	0.6	16
122010	89	0.6	16
122011	102	0.6	16
122012	114	0.6	16
122013	127	0.6	16
122014	152	0.6	16
122015	178	0.6	16
122016	203	0.6	16

## ITALIAN TYPE HOSE CLAMP



### Materials:

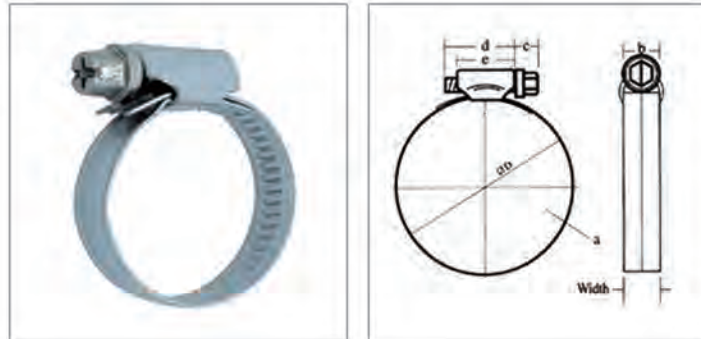
- ★ W1: W1: All parts steel zinc plated.
- ★ W2: Band & hosing stainless steel, screw zinc plated.
- ★ W4: All parts stainless steel

Code	Width(mm)	Dia(mm)	a(mm)	b(mm)	c(mm)	d(mm)	e(mm)
102013	9.7/12.7	12-22	0.7	7	5	21	19
102016	9.7/12.7	16-27	0.7	7	5	21	19
102019	9.7/12.7	23-35	0.7	7	5	21	19
102023	9.7/12.7	30-45	0.7	7	5	21	19
102026	9.7/12.7	32-50	0.7	7	5	21	19
102027	9.7/12.7	40-60	0.7	7	5	21	19
102038	9.7/12.7	50-70	0.7	7	5	21	19
102042	9.7/12.7	60-80	0.7	7	5	21	19
102044	9.7/12.7	70-90	0.7	7	5	21	19
102047	9.7/12.7	80-100	0.7	7	5	21	19
102051	9.7/12.7	90-110	0.7	7	5	21	19
102057	9.7/12.7	100-120	0.7	7	5	21	19
102059	9.7/12.7	110-130	0.7	7	5	21	19
102064	9.7/12.7	120-140	0.7	7	5	21	19
102070	9.7/12.7	130-150	0.7	7	5	21	19
102073	9.7/12.7	140-160	0.7	7	5	21	19
102076	9.7/12.7	150-170	0.7	7	5	21	19
102083	9.7/12.7	160-180	0.7	7	5	21	19
102089	9.7/12.7	170-190	0.7	7	5	21	19
102095	9.7/12.7	180-200	0.7	7	5	21	19
102101	9.7/12.7	190-210	0.7	7	5	21	19
102108	9.7/12.7	200-220	0.7	7	5	21	19
102110	9.7/12.7	210-230	0.7	7	5	21	19
102114	9.7/12.7	220-240	0.7	7	5	21	19
102121	9.7/12.7	230-250	0.7	7	5	21	19
102127	9.7/12.7	240-260	0.7	7	5	21	19



# GERMANY TYPE HOSE CLAMP

# BRITISH TYPE HOSE CLAMP

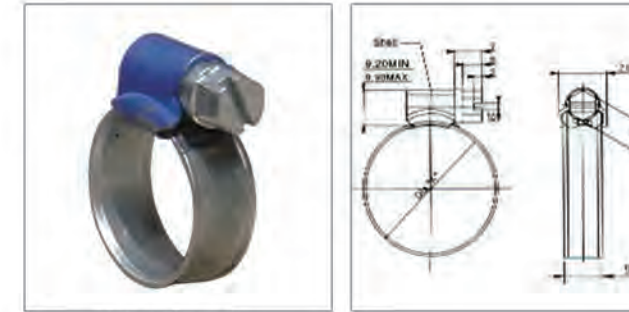


### Material:

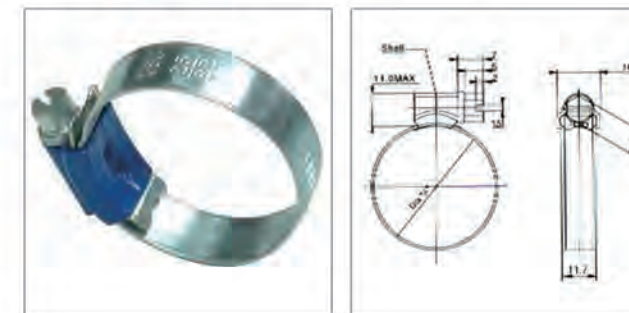
- ★ W1: All parts steel zinc plated.
- ★ W2: Band & hosing stainless steel, screw zinc plated.
- ★ W4: All parts stainless steel

Code	Width(mm)	Dia(mm)	a(mm)	b(mm)	c(mm)	d(mm)	e(mm)
104012	9/12	8-12	0.7	7	5	21	19
104016	9/12	10-16	0.7	7	5	21	19
104022	9/12	12-22	0.7	7	5	21	19
104027	9/12	16-27	0.7	7	5	21	19
104032	9/12	20-32	0.7	7	5	21	19
104040	9/12	25-40	0.7	7	5	21	19
104045	9/12	30-45	0.7	7	5	21	19
104050	9/12	35-50	0.7	7	5	21	19
104060	9/12	40-60	0.7	7	5	21	19
104070	9/12	50-70	0.7	7	5	21	19
104080	9/12	60-80	0.7	7	5	21	19
104090	9/12	70-90	0.7	7	5	21	19
104100	9/12	80-100	0.7	7	5	21	19
104110	9/12	90-110	0.7	7	5	21	19
104120	9/12	100-120	0.7	7	5	21	19
104130	9/12	110-130	0.7	7	5	21	19
104140	9/12	120-140	0.7	7	5	21	19
104150	9/12	130-150	0.7	7	5	21	19
104160	9/12	140-160	0.7	7	5	21	19

Band not perforated.  
 Dentiform structure of the clamp recommend heavy torque to large diameter hose, and reiterative use is possible.  
 Inside of the band is completely smooth to protect the hose from any damages.  
 It has heavy torque and various material could be selected.  
 There are 9mm and 12mm band width available.

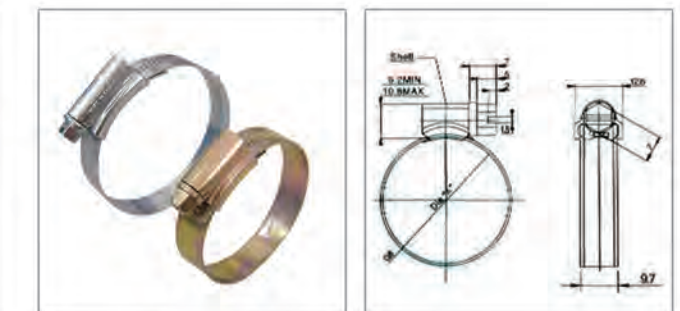


Blue head

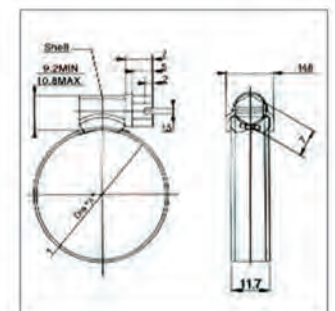
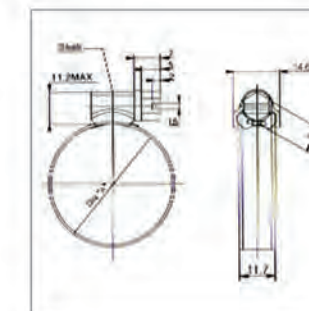


Welding

Code	Code	Code	Size	Band(mm)
Blue head	Welding	Riveting		
114001A	114001B	114001C	10-16	9.7
114002A	114002B	114002C	13-19	9.7
114003A	114003B	114003C	26-25	9.7
114004A	114004B	114004C	19-29	9.7
114005A	114005B	114005C	22-32	11.7
114006A	114006B	114006C	25-38	11.7
114007A	114007B	114007C	32-44	11.7
114008A	114008B	114008C	35-51	11.7
114009A	114009B	114009C	38-57	11.7
114010A	114010B	114010C	44-64	11.7
114011A	114011B	114011C	51-70	11.7
114012A	114012B	114012C	64-76	11.7
114013A	114013B	114013C	70-89	11.7
114014A	114014B	114014C	76-92	11.7
114015A	114015B	114015C	80-100	11.7
114016A	114016B	114016C	90-110	11.7
114017A	114017B	114017C	100-120	11.7

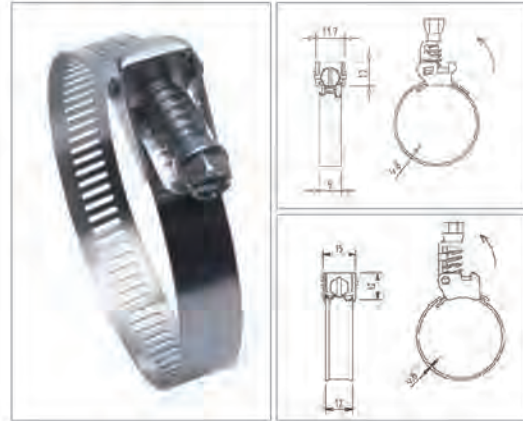


Riveting



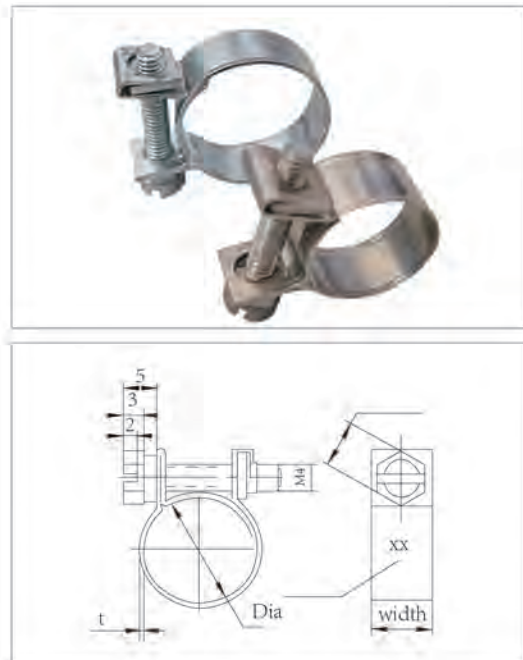


## QUICK RELEASE HOSE CLAMP



Code	Size	Width 1	Width 2
115001	13-32	9mm	12mm
115002	19-44	9mm	12mm
115003	26-51	9mm	12mm
115004	26-57	9mm	12mm
115005	26-70	9mm	12mm
115006	38-89	9mm	12mm
115007	26-101	9mm	12mm
115008	51-127	9mm	12mm
115009	51-152	9mm	12mm
115010	45-178	9mm	12mm
115011	45-197	9mm	12mm
115012	45-216	9mm	12mm
115013	45-228	9mm	12mm
115014	51-254	9mm	12mm
115015	51-311	9mm	12mm

## MINI HOSE CLAMP



Code	Dia(mm)	t(mm)	Width(mm)	H(mm)
109009	7-9	0.6	9	7
109010	8-10	0.6	9	7
109011	9-11	0.6	9	7
109012	10-12	0.6	9	7
109013	11-13	0.6	9	7
109014	12-14	0.6	9	7
109015	13-15	0.6	9	7
109016	14-16	0.6	9	7
109017	15-17	0.6	9	7
109018	16-18	0.6	9	7
109019	17-19	0.6	9	7
109020	18-20	0.6	9	7
109021	19-21	0.6	9	7
109022	20-22	0.6	9	7
109023	21-23	0.6	9	7
109024	22-24	0.6	9	7
109025	23-25	0.6	9	7
109026	24-26	0.6	9	7
109027	25-27	0.6	9	7
109028	26-28	0.6	9	7
109029	27-29	0.6	9	7
109030	28-30	0.6	9	7
109031	29-31	0.6	9	7
109032	30-32	0.6	9	7
109033	31-33	0.6	9	7
109034	32-34	0.6	9	7

## STEEL WIRE CLAMP



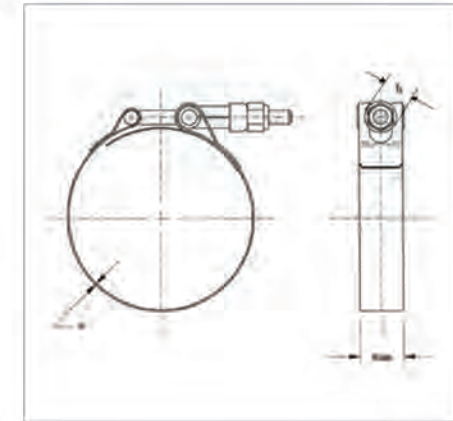
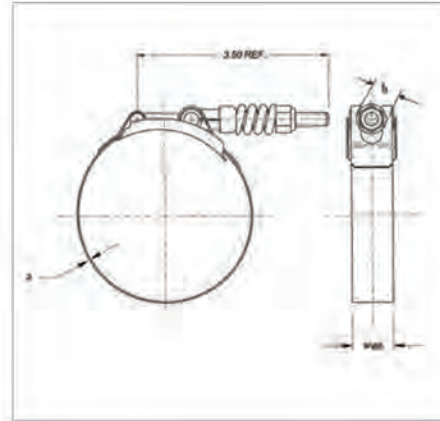
Code	Φ(mm)	Dia(mm)	M	L(mm)
106014	1.5	11-14	M5	30
106016	1.5	13-16	M5	30
106018	1.5	15-18	M5	30
106020	1.8	17-20	M5	30
106022	1.8	19-22	M5	30
106024	1.8	20-24	M5	30
106026	1.8	22-26	M5	30
106028	1.8	24-28	M5	30
106030	2.2	26-30	M6	40
106032	2.2	28-32	M6	40
106035	2.2	31-35	M6	40
106038	2.2	34-38	M6	40
106040	2.2	35-40	M6	40
106042	2.2	37-42	M6	40
106045	2.2	40-45	M6	40
106048	2.2	43-48	M6	50
106050	2.2	45-50	M6	50
106052	2.2	47-52	M6	50
106055	2.2	50-55	M6	50
106058	2.2	53-58	M6	50
106060	2.2	55-60	M6	60
106062	2.2	54-62	M6	60
106065	2.2	60-65	M6	60
106068	2.5	63-68	M6	60
106070	2.5	65-70	M6	70
106075	2.5	70-75	M6	70
106080	2.5	75-80	M6	70
106085	2.5	80-85	M6	70
106090	2.5	84-90	M8	70
106095	2.5	89-95	M8	70
106100	2.5	94-100	M8	80
106105	2.5	98-105	M8	80

Code	Φ(mm)	Dia(mm)	M	L(mm)
106110	2.5	103-110	M8	80
106115	2.5	108-115	M8	80
106120	2.5	113-120	M8	80
106125	2.5	118-125	M8	80
106130	2.5	123-130	M8	80
106135	2.5	128-135	M8	80
106140	2.5	133-140	M8	80
106145	2.5	138-145	M8	80
106150	2.5	143-150	M8	80
106155	2.5	148-155	M8	80
106160	2.5	153-160	M8	80
106165	2.5	158-165	M8	80
106170	2.5	163-170	M8	80
106175	2.5	168-175	M8	80
106180	2.5	173-180	M8	80
106185	2.5	178-185	M8	80
106190	2.5	φ 190	M8	80
106200	2.5	φ 200	M8	80
106210	2.5	φ 210	M8	80
106220	2.5	φ 220	M8	80
106230	2.5	φ 230	M8	80
106240	2.5	φ 240	M8	80
106250	2.5	φ 250	M8	80
106260	2.5	φ 260	M8	80
106270	2.5	φ 270	M8	80
106280	2.5	φ 280	M8	80
106290	2.5	φ 290	M8	80
106300	2.5	φ 300	M8	80
106310	2.5	φ 310	M8	80
106320	2.5	φ 320	M8	80
106330	2.5	φ 330	M8	80
106340	2.5	φ 340	M8	80
106350	2.5	φ 350	M8	80



# T-BOLT HOSE CLAMP

# T-BOLT HOSE CLAMP



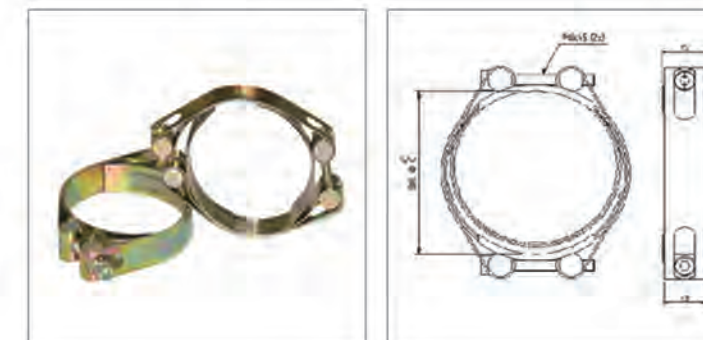
Code	Width(mm)	Dia(mm)	a(mm)	b(mm)	Torque
105040	19.0	34-40	0.6	11	8.5Nm
105046	19.0	40-46	0.6	11	8.5Nm
105049	19.0	43-49	0.6	11	8.5Nm
105052	19.0	46-52	0.6	11	8.5Nm
105057	19.0	51-57	0.6	11	8.5Nm
105065	19.0	58-65	0.6	11	8.5Nm
105072	19.0	64-72	0.6	11	8.5Nm
105078	19.0	70-78	0.6	11	8.5Nm
105084	19.0	76-84	0.6	11	8.5Nm
105091	19.0	83-91	0.6	11	8.5Nm
105097	19.0	89-97	0.6	11	8.5Nm
105103	19.0	95-103	0.6	11	8.5Nm
105110	19.0	102-110	0.6	11	8.5Nm
105116	19.0	108-116	0.6	11	8.5Nm
105122	19.0	114-122	0.6	11	8.5Nm
105129	19.0	121-129	0.6	11	8.5Nm
105135	19.0	127-135	0.6	11	8.5Nm
105141	19.0	133-141	0.6	11	8.5Nm
105148	19.0	140-148	0.6	11	8.5Nm
105154	19.0	146-154	0.6	11	8.5Nm
105160	19.0	152-160	0.6	11	8.5Nm
105167	19.0	159-167	0.6	11	8.5Nm
105173	19.0	165-173	0.6	11	8.5Nm
105179	19.0	171-179	0.6	11	8.5Nm
105186	19.0	178-186	0.6	11	8.5Nm
105192	19.0	184-192	0.6	11	8.5Nm

Code	Width(mm)	Dia(mm)	a(mm)	b(mm)	Torque
105A040	19.0	34-40	0.6	11	8.5Nm
105A046	19.0	40-46	0.6	11	8.5Nm
105A049	19.0	43-49	0.6	11	8.5Nm
105A052	19.0	46-52	0.6	11	8.5Nm
105A057	19.0	51-57	0.6	11	8.5Nm
105A065	19.0	58-65	0.6	11	8.5Nm
105A072	19.0	64-72	0.6	11	8.5Nm
105A078	19.0	70-78	0.6	11	8.5Nm
105A084	19.0	76-84	0.6	11	8.5Nm
105A091	19.0	83-91	0.6	11	8.5Nm
105A097	19.0	89-97	0.6	11	8.5Nm
105A103	19.0	95-103	0.6	11	8.5Nm
105A110	19.0	102-110	0.6	11	8.5Nm
105A116	19.0	108-116	0.6	11	8.5Nm
105A122	19.0	114-122	0.6	11	8.5Nm
105A129	19.0	121-129	0.6	11	8.5Nm
105A135	19.0	127-135	0.6	11	8.5Nm
105A141	19.0	133-141	0.6	11	8.5Nm
105A148	19.0	140-148	0.6	11	8.5Nm
105A154	19.0	146-154	0.6	11	8.5Nm
105A160	19.0	152-160	0.6	11	8.5Nm
105A167	19.0	159-167	0.6	11	8.5Nm
105A173	19.0	165-173	0.6	11	8.5Nm
105A179	19.0	171-179	0.6	11	8.5Nm
105A186	19.0	178-186	0.6	11	8.5Nm
105A192	19.0	184-192	0.6	11	8.5Nm



# SINGLE BOLT SUPER CLAMP

# DOUBLE BOLT SUPER CLAMP



Code	Size	W(mm)	W1 t (mm)	W2/W4/W5 t(mm)	M	L(mm)
112001	17-19	18	0.6	0.6	M5	40
112002	20-22				M5	40
112003	23-25				M5	40
112004	26-28				M5	40
112005	29-31	20	0.8	0.6	M6	50
112006	32-35				M6	50
112007	36-39				M6	50
112008	40-43				M6	50
112009	44-47	22	1.2	0.8	M6	55
112010	48-51				M6	55
112011	52-55				M6	55
112012	56-59				M6	55
112013	60-63	24	1.5	0.8	M6	55
112014	64-67				M8	70
112015	68-73				M8	70
112016	74-79				M8	70
112017	80-85	26	1.7	1	M8	70
112018	86-91				M8	70
112019	92-97				M8	70
112020	98-103				M8	70
112021	104-112	26	1.7	1	M8	80
112022	113-121				M8	80
112023	122-130				M8	80
112024	131-139				M10	90
112025	140-148	26	1.7	1	M10	90
112026	149-161				M10	110
112027	162-174				M10	110
112028	175-187				M10	110
112029	188-200	26	1.7	1	M10	110
112030	210-213				M10	110
112031	214-226				M10	110
112032	227-239				M10	110
112033	240-252	26	1.7	1	M10	110

Wide band, band width from 18mm to 26mm  
 High torsion force  
 Material: Galvanized steel or stainless steel

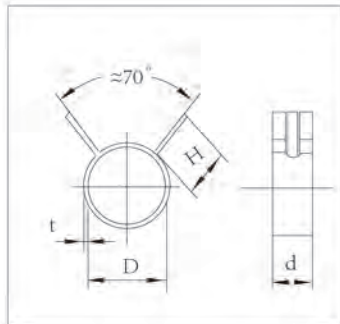
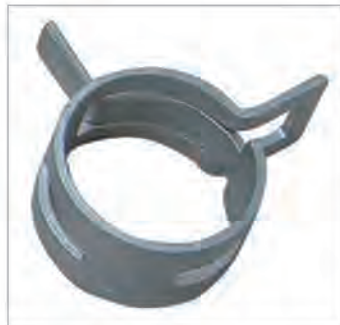
Code	Size	W(mm)	W1 t (mm)	W2/W4/W5 t(mm)	M	L(mm)
116001	17-19	18	0.6	0.6	M5	40
116002	20-22				M5	40
116003	23-25				M5	40
116004	26-28				M5	40
116005	29-31	20	0.8	0.6	M6	50
116006	32-35				M6	50
116007	36-39				M6	50
116008	40-43				M6	50
116009	44-47	22	1.2	0.8	M6	55
116010	48-51				M6	55
116011	52-55				M6	55
116012	56-59				M6	55
116013	60-63	24	1.5	0.8	M6	55
116014	64-67				M8	70
116015	68-73				M8	70
116016	74-79				M8	70
116017	80-85	26	1.7	1	M8	70
116018	86-91				M8	70
116019	92-97				M8	70
116020	98-103				M8	70
116021	104-112	26	1.7	1	M8	80
116022	113-121				M8	80
116023	122-130				M8	80
116024	131-139				M10	90
116025	140-148	26	1.7	1	M10	90
116026	149-161				M10	110
116027	162-174				M10	110
116028	175-187				M10	110
116029	188-200	26	1.7	1	M10	110
116030	210-213				M10	110
116031	214-226				M10	110
116032	227-239				M10	110
116033	240-252	26	1.7	1	M10	110

Wide band, band width from 18mm to 26mm  
 High torsion force  
 Material: Galvanized steel or stainless steel



# SPRING CLAMP

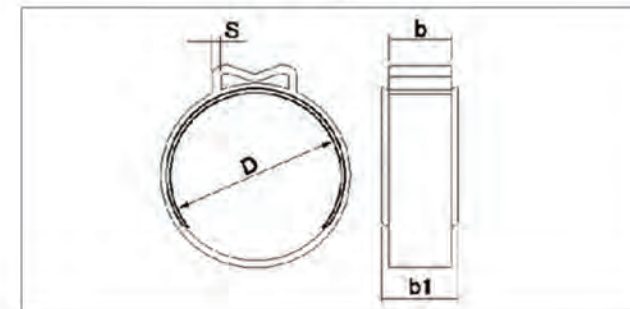
# EAR CLAMP



Code	D	t(mm)	d(mm)	H(mm)	D1
108070	7.0	0.6	6	7	7.6
108080	8.0	0.6	6	7	8.6
108085	8.5	0.6	8	7	9.2
108090	9.0	0.6	8	7	9.7
108095	9.5	0.8	8	7	10.3
108100	10.0	0.8	8	7	10.8
108105	10.5	0.8	8	7	11.4
108110	11.0	0.8	8	7	11.9
108115	11.5	0.8	8	7	12.4
108120	12.0	0.8	8	7	13.0
108125	12.5	0.8	8	7	13.5
108130	13.0	0.8	8	7	14.0
108135	13.5	0.8	8	7	14.6
108140	14.0	0.8	8	7	15.1
108145	14.5	0.8	8	7	15.7
108150	15.0	1.0	10	10	16.2
108155	15.5	1.0	10	10	16.7
108160	16.0	1.0	10	10	17.3
108165	16.5	1.0	12	10	17.9
108170	17.0	1.0	12	10	18.4
108175	17.5	1.0	12	10	18.9
108180	18.0	1.0	12	10	19.4
108185	18.5	1.0	12	10	20.0
108190	19.0	1.0	12	10	20.5
108195	19.5	1.0	12	10	21.1
108200	20.0	1.0	12	10	21.6
108205	20.5	1.0	12	10	22.2
108210	21.0	1.0	12	10	22.7
108230	23.0	1.2	12	10	24.8
108240	24.0	1.2	12	10	25.9
108250	25.0	1.2	12	10	27.0

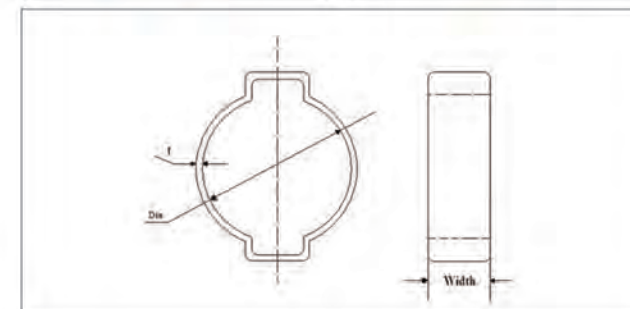
1.Surface Treatment: Galvanized or Multicoloured.  
2.Materials: Stainless Steel.

## SINGLE EAR CLAMP



Code	D (mm)	b (mm)	S (mm)
113001	8.7	5	0.5
113002	9.5	5	0.5
113003	10.5	5	0.5
113004	11.3	7	0.6
113005	11.9	7	0.6
113006	12.3	7	0.6
113007	12.8	7	0.6
113008	13.9	7	0.6
113009	13.6	7	0.6
113010	14.0	7	0.6
113011	14.5	7	0.6
113012	16.2	7	0.6
113013	17.0	7	0.6
113014	17.5	7	0.6
113015	18.5	7	0.6
113016	19.8	7	0.6
113017	21.0	7	0.6
113018	24.1	7	0.6
113019	25.6	7	0.6
113020	32.1	7	0.6
113021	54.0	7	0.6

## DOUBLE EAR CLAMP



Code	Dia(mm)	t(mm)	W(mm)
110001	5-7	0.5	6+/-0.2
110002	7-9	0.5	7+/-0.2
110003	9-11	0.5	7+/-0.2
110004	11-13	0.6	7+/-0.2
110005	13-15	0.6	7.5+/-0.2
110006	15-18	0.6	7.5+/-0.2
110007	17-20	0.6	7.5+/-0.2
110008	20-23	0.6	9+/-0.2
110009	22-25	0.6	9+/-0.2
110010	23-27	0.6	9+/-0.2
110011	25-28	0.6	9+/-0.2
110012	27-31	0.6	9.5+/-0.2
110013	31-34	0.6	9.5+/-0.2
110014	34-37	0.6	9.5+/-0.2
110015	37-40	0.6	10+/-0.2
110016	40-43	0.6	10+/-0.2
110017	43-46	0.6	10+/-0.2





# CLIP DRIVE

# OTHER HOSE CLAMP SERIES



**TYPE A  
HOOP STRIP CLIP DRIVE**



Art No. 117001

**TYPE B  
EAR PLATE CLIP DRIVE**



Art No. 117002

**TYPE C  
SPLINT CLIP DRIVE**



Art No. 117003

**SINGLE EAR HOSE CLAMP  
ZINC PLATED STEEL**



Art No. 134001

**WIRE SPRING CLAMP  
ZINC PLATED STEEL**



Art No. 135001

**TOWER CLAMP  
ZINC PLATED STEEL**



Art No. 136001

**TYPE D  
DIAMETER CLIP DRIVE**



Art No. 117004

**TYPE E  
FAST CLIP DRIVE**



Art No. 117005

**TYPE F  
HIGH RISE CLIP DRIVE**



Art No. 117006

**TIGHTENING CLAMP  
ZINC PLATED STEEL**



Art No. 137001

**ECCENTRIC HOSE CLAMP  
STAINLESS STEEL**



Art No. 138001

**AMERICAN TYPE  
STAINLESS STEEL**



Art No. 139001

**TYPE G  
PIPE SEAL HEAD**



Art No. 117007

**TYPE CH  
HIGH RISE CLIP DRIVE**



Art No. 117001

**TYPE H  
HIGH RISE FAST CLIP**



Art No. 117001

**BUCKLE TYPE CLAMP  
STAINLESS STEEL**



Art No. 140001

**V TYPE HOSE CLAMP  
STAINLESS STEEL**



Art No. 141001

**AMERICAN HEAVY CLAMP  
STAINLESS STEEL**

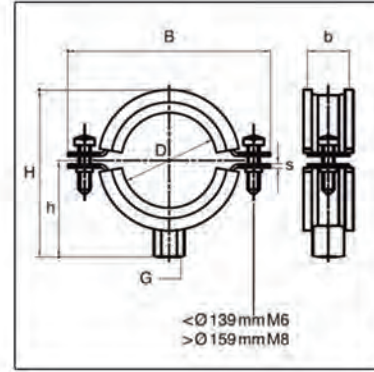


Art No. 142001



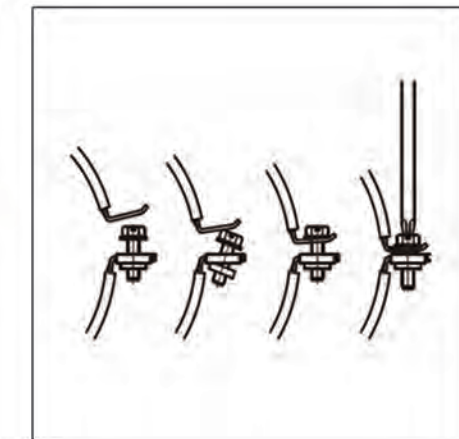
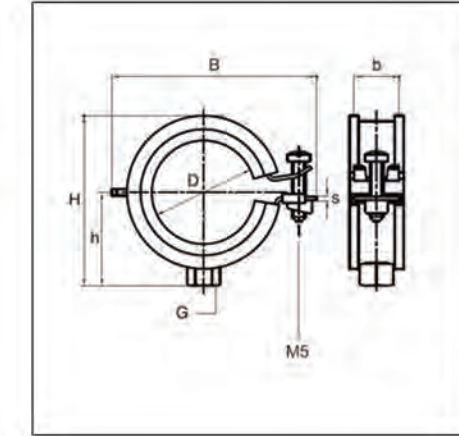
# STEEL PIPE CLAMP WITH RUBBER

# STEEL PIPE CLAMP WITH RUBBER



- ★Jointing Nut: M8+M10
- ★Pull Strength: 600kg.
- ★Twist Strength: 8kg.
- ★2pcs M6x20 Screw.

Code	D(DN)	D(″)	D(mm)	G	B(mm)	H(mm)	h(mm)	b(mm)	s(mm)
001016	15	1/4″	12-16	M8	55	34	21	20	1.5
001019	18	3/8″	15-19	M8	60	35	21	20	1.5
001025	22	1/2″	20-25	M8	65	36	22	20	1.5
001030	28	3/4″	26-30	M8	70	43	26	20	1.5
001036	35	1″	32-36	M8	77	52	30	20	1.5
001043	40	1-1/4″	38-43	M8	85	56	33	20	1.5
001051	48	1-1/2″	47-51	M8	92	63	37	20	1.5
001058	54	--	53-58	M8	99	67	39	20	1.5
001064	60	2″	60-64	M8	102	73	41	20	1.5
001072	70	--	68-72	M8/M10	117	104	59	20	1.5
001080	75	2-1/2″	75-80	M8/M10	122	108	61	20	1.5
001086	83	--	81-86	M8/M10	129	116	65	20	1.5
001092	90	3″	87-92	M8/M10	136	122	68	20	1.5
001105	100	3-1/2″	99-105	M8/M10	152	135	74	23	1.5
001112	110	--	109-112	M8/M10	155	139	76	23	1.5
001118	115	4″	113-118	M8/M10	157	144	79	23	1.5
001130	125	--	125-130	M8/M10	176	162	88	23	2.0
001137	133	--	132-137	M8/M10	178	165	90	23	2.0
001142	140	5″	138-142	M8/M10	182	168	91	23	2.0
001152	150	--	148-152	M8/M10	207	182	98	23	2.0
001166	160	6″	159-166	M8/M10	232	202	107	25	2.0
001212	200	--	200-212	M8/M10	275	243	128	25	2.0
001220	220	8″	215-220	M8/M10	283	251	132	25	2.0



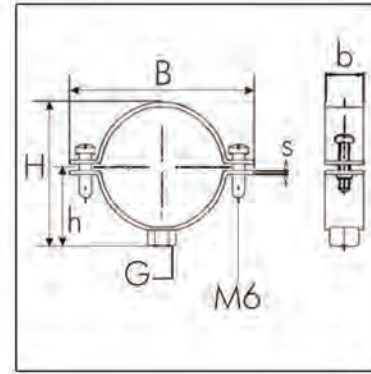
- ★Jointing Nut: M8
- ★Thickness: 1.5mm.
- ★Pull Strength: 350kg.
- ★Twist Strength: 7kg.
- ★ $\Phi \leq 35$  Screw is M5x25.
- ★ $\Phi \geq 40$  Screw is M5x35.

Code	D(DN)	D(″)	D(mm)	G	B(mm)	H(mm)	h(mm)	b(mm)	s(mm)
002018	10	3/8″	16-18	M8	49	41	22	20	1.5
002023	15	1/2″	21-23	M8	55	46	24	20	1.5
002028	20	3/4″	26-28	M8	59	52	27	20	1.5
002036	25	1″	32-36	M8	67	59	30	20	1.5
002043	32	1-1/4″	40-43	M8	75	67	35	20	1.5
002051	40	1-1/2″	48-51	M8	84	76	39	20	1.5
002056	--	--	52-56	M8	84	76	39	20	1.5
002060	50	2″	57-60	M8	94	87	44	20	1.5



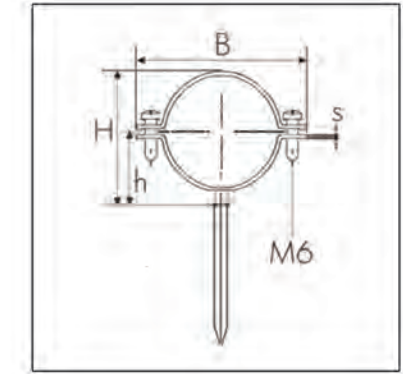
# STEEL PIPE CLAMP

# STEEL NAIL CLAMP



- ★Jointing Nut :M8+M10
- ★Pull Strength:600kg.
- ★Twist Strength:8kg.
- ★2pcs M6x20 Screw.

Code	D(DN)	D(")	D(mm)	G	B(mm)	H(mm)	h(mm)	b(mm)	s(mm)
003016	15	1/4"	12-16	M8	51	22	15	20	1.5
003019	18	3/8"	15-19	M8	54	26	17	20	1.5
003025	22	1/2"	20-25	M8	61	32	19	20	1.5
003030	28	3/4"	26-30	M8	66	35	21	20	1.5
003036	35	1"	32-36	M8	74	42	24	20	1.5
003043	40	1-1/4"	38-43	M8	81	50	28	20	1.5
003051	48	1-1/2"	47-51	M8	87	54	31	20	1.5
003058	54	--	53-58	M8	94	60	34	20	1.5
003064	60	2"	60-64	M8	100	66	37	20	1.5
003072	70	--	68-72	M8/M10	112	--	--	20	1.5
003080	75	2-1/2"	75-80	M8/M10	117	--	--	20	1.5
003086	83	--	81-86	M8/M10	124	--	--	20	1.5
003092	90	3"	87-92	M8/M10	130	--	--	20	1.5
003105	100	3-1/2"	99-105	M8/M10	146	--	--	23	1.5
003112	110	--	109-112	M8/M10	149	--	--	23	1.5
003118	115	4"	113-118	M8/M10	151	--	--	23	1.5
003130	125	--	125-130	M8/M10	170	--	--	23	2.0
003137	133	--	132-137	M8/M10	172	--	--	23	2.0
003142	140	5"	138-142	M8/M10	172	--	--	23	2.0
003152	150	--	148-152	M8/M10	202	--	--	23	2.0
003166	160	6"	159-166	M8/M10	226	--	--	25	2.0
003212	200	--	200-212	M8/M10	268	--	--	25	2.0
003220	220	8"	215-220	M8/M10	276	--	--	25	2.0



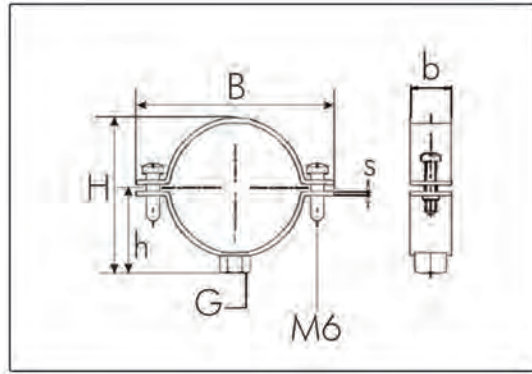
- ★Thickness 1.5+2.0mm.
- ★Pull Strength:360kg.
- ★Twist Strength:7kg.
- ★2pcs M6x20 Screw.

Code	D(DN)	D(")	D(mm)	G	B(mm)	b(mm)	s(mm)
004016	15	1/4"	12-16	M8	55	20	1.5
004019	18	3/8"	15-19	M8	60	20	1.5
004025	22	1/2"	20-25	M8	65	20	1.5
004030	28	3/4"	26-30	M8	70	20	1.5
004036	35	1"	32-36	M8	77	20	1.5
004043	40	1-1/4"	38-43	M8	85	20	1.5
004051	48	1-1/2"	47-51	M8	92	20	1.5
004058	54	--	53-58	M8	99	20	1.5
004064	60	2"	60-64	M8	102	20	1.5
004072	70	--	68-72	M8/M10	117	20	1.5
004080	75	2-1/2"	75-80	M8/M10	122	20	1.5
004086	83	--	81-86	M8/M10	129	20	1.5
004092	90	3"	87-92	M8/M10	136	20	1.5
004105	100	3-1/2"	99-105	M8/M10	152	23	1.5
004112	110	--	109-112	M8/M10	155	23	1.5
004118	115	4"	113-118	M8/M10	157	23	1.5
004130	125	--	125-130	M8/M10	176	23	2.0
004137	133	--	132-137	M8/M10	178	23	2.0
004142	140	5"	138-142	M8/M10	182	23	2.0
004152	150	--	148-152	M8/M10	207	23	2.0
004166	160	6"	159-166	M8/M10	232	25	2.0
004212	200	--	200-212	M8/M10	275	25	2.0
004220	220	8"	215-220	M8/M10	283	25	2.0



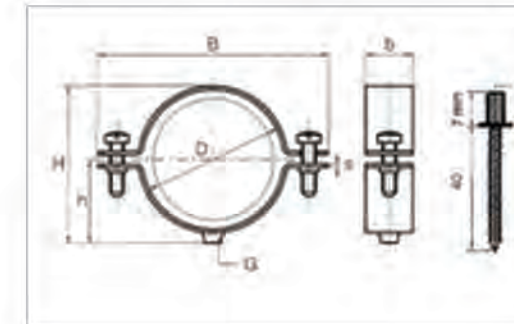
# STEEL PIPE CLAMP

# M7 PIPE CLAMP SERIES



- ★Jointing Nut:M8
- ★Thickness:0.8mm
- ★Pull Strength:300kg
- ★Twist Strength:6kg
- ★2pcs M6x20 Screw.

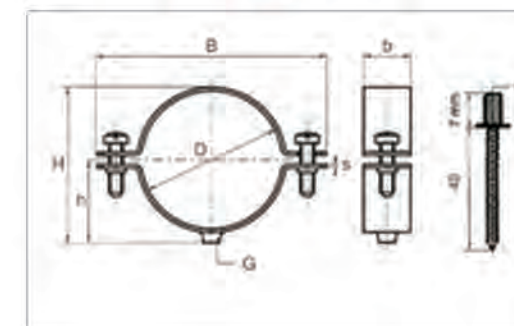
Code	D(DN)	D(″)	D(mm)	G	B(mm)	H(mm)	h(mm)	b(mm)	s(mm)
005016	15	1/4″	12-16	M8	51	22	15	20	0.8
005019	18	3/8″	15-19	M8	54	26	17	20	0.8
005025	22	1/2″	20-25	M8	61	32	19	20	0.8
005030	28	3/4″	26-30	M8	66	35	21	20	0.8
005036	35	1″	32-36	M8	74	42	24	20	0.8
005043	40	1-1/4″	38-43	M8	81	50	28	20	0.8
005051	48	1-1/2″	47-51	M8	87	54	31	20	0.8
005058	54	--	53-58	M8	94	60	34	20	0.8
005064	60	2″	60-64	M8	100	66	37	20	0.8
005072	70	--	68-72	M8/M10	112	--	--	20	0.8
005080	75	2-1/2″	75-80	M8/M10	117	--	--	20	0.8
005086	83	--	81-86	M8/M10	124	--	--	20	0.8
005092	90	3″	87-92	M8/M10	130	--	--	20	0.8
005105	100	3-1/2″	99-105	M8/M10	146	--	--	23	0.8
005112	110	--	109-112	M8/M10	149	--	--	23	0.8
005118	115	4″	113-118	M8/M10	151	--	--	23	0.8
005130	125	--	125-130	M8/M10	170	--	--	23	0.8
005137	133	--	132-137	M8/M10	172	--	--	23	0.8
005142	140	5″	138-142	M8/M10	172	--	--	23	0.8
005152	150	--	148-152	M8/M10	202	--	--	23	0.8
005166	160	6″	159-166	M8/M10	226	--	--	25	0.8
005212	200	--	200-212	M8/M10	268	--	--	25	0.8
005220	220	8″	215-220	M8/M10	276	--	--	25	0.8



## SINGLE PIPE CLAMPS M-7 WITH INNER RUBBER

Code	D(mm)	G	B(mm)	H(mm)	h(mm)	b(mm)	s(mm)
013010	10	M7	35	24	10	11	1.0
013012	12	M7	37	27	11	11	1.0
013014	14	M7	39	24	12	11	1.0
013016	16	M7	41	31	13	11	1.0
013018	18	M7	42	32	14	11	1.0
013020	20	M7	45	35	15	11	1.0
013022	22	M7	47	37	16	11	1.0
013026	25-26	M7	51	40	19	11	1.0
013028	28	M7	53	43	20	11	1.0
013032	32	M7	57	46	21	11	1.0
013040	38-40	M7	65	55	25	11	1.0
013042	42	M7	67	56	27	11	1.0
013050	50	M7	78	65	30	11	1.0
013060	60	M7	91	79	35	11	1.0

- ★1. SCREWS UNDER Ø16 M5x9; Ø16; AND ABOVE M5x12MM
- ★2. IRON SHEET UNDER Ø28MM, Ø0.8X1MM, Ø28 AND ABOVE 1X1.2MM
- ★3. ALL ITEMS CLOSED
- ★4. ALL ITEMS MTX150 PITCH
- ★5. ALL ITEMS M6 100 PITCH
- ★6. RUBBER THICKNESSx2.5MM



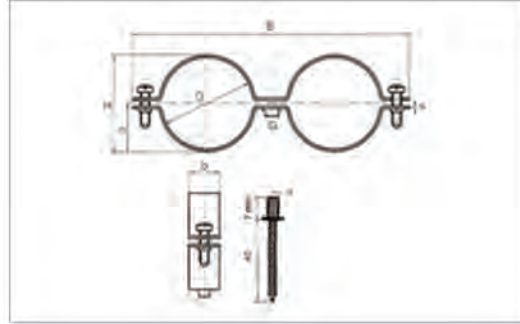
## SINGLE PIPE CLAMPS M-7 WITHOUT RUBBER

Code	D(mm)	G	B(mm)	H(mm)	h(mm)	b(mm)	s(mm)
014010	10	M7	35	24	10	11	1.0
014012	12	M7	37	27	11	11	1.0
014014	14	M7	39	24	12	11	1.0
014016	16	M7	41	31	13	11	1.0
014018	18	M7	42	32	14	11	1.0
014020	20	M7	45	35	15	11	1.0
014022	22	M7	47	37	16	11	1.0
014026	25-26	M7	51	40	19	11	1.0
014028	28	M7	53	43	20	11	1.0
014032	32	M7	57	46	21	11	1.0
014040	38-40	M7	65	55	25	11	1.0
014042	42	M7	67	56	27	11	1.0
014050	50	M7	78	65	30	11	1.0
014060	60	M7	91	79	35	11	1.0

- ★1. SCREWS UNDER 16 M5x16 AND ABOVE M5x12MM
- ★2. ALL ITEMS IRON SHEET M1.2x1.2M
- ★3. ALL ITEMS ONE OPENED AND ONE CLOSED
- ★4. THREAD IS FROM 6MM TO 6.5MM HIGH
- ★5. ALL ITEMS M6x100 PITCH



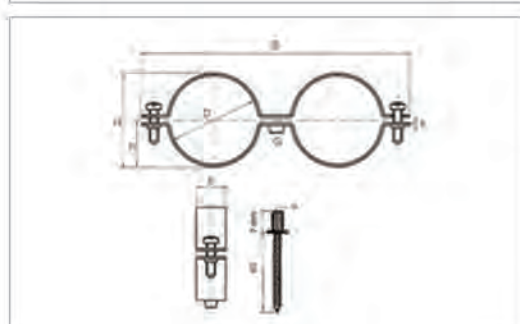
DOUBLE PIPE CLAMPS M-7 WITH INNER RUBBER



Code	D(mm)	G	B(mm)	H(mm)	h(mm)	b(mm)	s(mm)
015010	8-10	M6	--	--	--	11	1.0
015012	10-12	M6	--	--	--	11	1.0
015014	12-14	M6	--	--	--	11	1.0
015016	14-16	M6	--	--	--	11	1.0
015018	16-18	M6	--	--	--	11	1.0
015020	18-20	M6	--	--	--	11	1.0
015022	20-22	M6	--	--	--	11	1.0
015026	24-26	M6	--	--	--	11	1.0
015028	26-28	M6	--	--	--	11	1.0
015032	30-32	M6	--	--	--	11	1.0
015040	38-40	M6	--	--	--	11	1.0
015042	40-42	M6	--	--	--	11	1.0
015050	48-50	M6	--	--	--	11	1.0
015060	58-60	M6	--	--	--	11	1.0

- \*1. SCREWS UNDER Ø16 M5x9; Ø16; AND ABOVE M5x12MM
- \*2. IRON SHEET UNDER Ø28MM,Ø0.8X1MM,Ø28 AND ABOVE 1X1.2MM
- \*3. ALL ITEMS CLOSED
- \*4. ALL ITEMS MTX150 PITCH
- \*5. ALL ITEMS M7 100 PITCH
- \*6. RUBBER THICKNESSx2.5MM

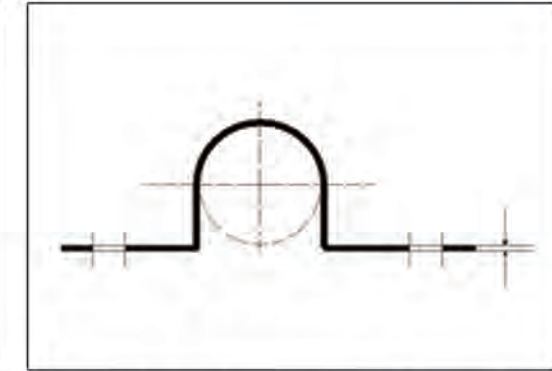
SINGLE PIPE CLAMPS M-7 WITHOUT RUBBER



Code	D(mm)	G	B(mm)	H(mm)	h(mm)	b(mm)	s(mm)
016010	8-10	M6	--	--	--	11	1.0
016012	10-12	M6	--	--	--	11	1.0
016014	12-14	M6	--	--	--	11	1.0
016016	14-16	M6	--	--	--	11	1.0
016018	16-18	M6	--	--	--	11	1.0
016020	18-20	M6	--	--	--	11	1.0
016022	20-22	M6	--	--	--	11	1.0
016026	24-26	M6	--	--	--	11	1.0
016028	26-28	M6	--	--	--	11	1.0
016032	30-32	M6	--	--	--	11	1.0
016040	38-40	M6	--	--	--	11	1.0
016042	40-42	M6	--	--	--	11	1.0
016050	48-50	M6	--	--	--	11	1.0
016060	58-60	M6	--	--	--	11	1.0

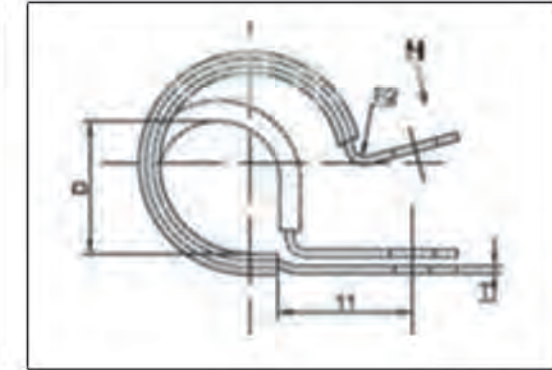
- \*1. SCREWS UNDER Ø16 M5x9; Ø16 AND ABOVE M5x12MM
- \*2. ALL ITEMS IRON SHEET M0.7x1.0M
- \*3. ALL ITEMS ONE OPENED AND ONE CLOSED
- \*4. THREAD IS FROM 6MM TO 6.5MM HIGH
- \*5. ALL ITEMS M7x100 PITCH

OMEGA TYPE



Qd1/d2	b1±0.3	b2	dnH13	d3	I3+1/-0.2	I4max	I70.2	I8max	S1-0.1		S2+0.2/-0.1		S3+0.35
									W1	W2	W1	W2	
4-20	9	13±0.8	4.3	5.2	5.7	10.2	5.7	10.2	0.4		1.4		1
4-25	12	15±0.8	5.3	5.8	8	14	8	14	0.5		1.5		1.2
5-14	15	19±1.0	6.4	7.4	11.2	18.7	11.2	18.7	0.6		1.6		1.5
15-45									0.8	0.8	1.8	1.6	
10-25	20	25±1.0	8.4	9	14.5	24.5	14.5	24.5	0.8		2.3		2
26-50										0.8	2.5	2.3	
15-49	25	31±1.3	10.5	13	17.5	30	17.5	30	1		2.5		3
50-150									1.25	1	2.75	2.5	

P TYPE



Q d1a/d2	b1±0.3	dnH13	L1+1/-0.2		I2max		I5-0.2		I6max		S1-0.1		S2+0.2/-0.1							
									w1	w2 w4 w5	w1	w2	w4	w5						
5-20	9	4.3	D1/2+	4.7	d1/2+	9.2	d2/2+	4.7	d2/2+	9.2	0.4	1.4								
5-25	12	5.3		6.8		13		6.8		13	0.5	1.5								
8-14	15	6.4		9.7		17.2		9.7		17.2	0.6		1.6							
15-30												0.8	0.6	1.8	1.6					
15-25	20	8.4	D1/2+	12.5	d1/2+	22.5	d2/2+	12.5	d2/2+	22.5	0.8		2.3							
26-60															1	2.5	2.5	2.31		
20-49	25	10.5								D1/2+	14.5	d1/2+	27	d2/2+	14.5	27	1		2.5	
50-150																				

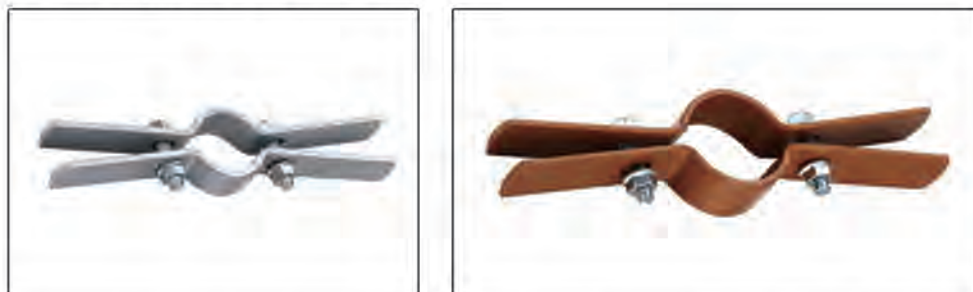


# U SHAPED CLIP

# SPRINKLER CLAMP

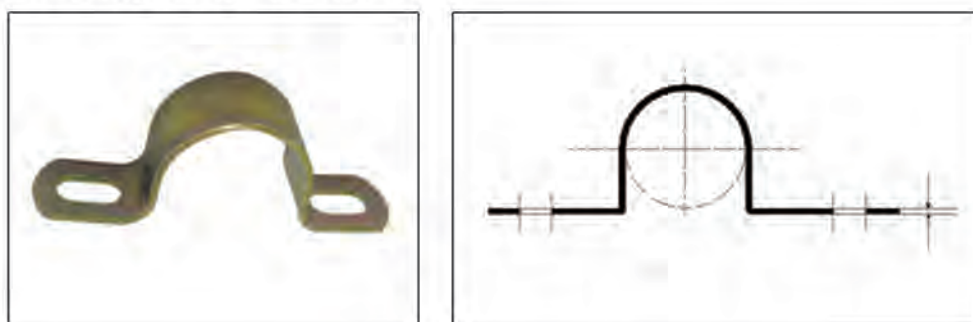


According to DIN3016 standard

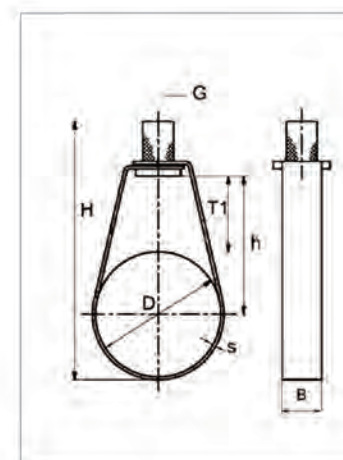


Qd1/d2	b1±0.3	b2	dnH13	d3	I3+1/-0.2	I4max	I70.2	I8max	S1-0.1		S2+0.2/-0.1		S3+0.35
									W1	W2 W4 W5	W1	W2 W4 W5	
4-20	9	13±0.8	4.3	5.2	5.7	10.2	5.7	10.2	0.4	1.4			1
4-25	12	15±0.8	5.3	5.8	8	14	8	14	0.5	1.5			1.2
5-14	15	19±1.0	6.4	7.4	11.2	18.7	11.2	18.7	0.6		1.6		1.5
15-45									0.8	0.8	1.8	1.6	
10-25	20	25±1.0	8.4	9	14.5	24.5	14.5	24.5	0.8		2.3		2
26-50									0.8	0.8	2.5	2.3	
15-49	25	31±1.3	10.5	13	17.5	30	17.5	30	1		2.5		3
50-150									1.25	1	2.75	2.5	

According to DIN3016 standard



Q d1a/d2	b1±0.3	dnH13	L1+1/-0.2	I2max	I5-0.2	I6max	S1-0.1		S2+0.2/-0.1	
							w1	w2 w4	w1	w2 w4 w5
5-20	9	4.3	D1/2+	4.7	d1/2+	d2/2+	d2/2+	9.2	0.4	1.4
5-25	12	5.3		6.8				13	0.5	1.5
8-14	15	6.4		9.7				17.2	0.6	1.6
15-30				12.5				22.5	0.8	0.6
15-25	20	8.4		12.5				22.5	0.8	2.3
26-60			1	2.5	2.5	2.31				
20-49	25	10.5	14.5	27	1	2.5				
50-150					1.25	2.75	2.75	2.5		

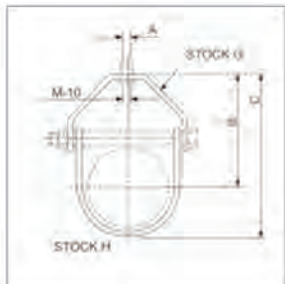
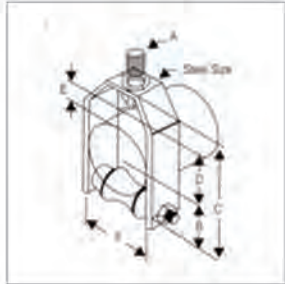


Code	D(")	D(mm)	G	B(mm)	S(mm)	E(mm)	H1(mm)	L(mm)
008030	3/4"	30	M10	20	1.2	54.5	71	10.5
008036	1"	36	M10	20	1.2	63.5	83	10.5
008046	1-1/4"	46	M10	20	1.2	70.5	95	10.5
008052	1-1/2"	52	M10	20	1.2	75.5	103	10.5
008066	2"	66	M10	20	1.5	83.5	118	10.5
008078	2-1/2"	78	M10	25	2.0	100.5	142	10.5
008092	3"	92	M10	25	2.0	117.5	166	10.5
008116	4"	116	M10	25	2.0	143.5	204	10.5
008142	5"	142	M12	30	2.0	175.0	249	13.0
008170	6"	170	M12	30	2.0	196.0	284	13.0
008222	8"	222	M12	30	2.5	262.0	376	17.0
008275	10"	275	M12	30	2.5	357.5	498	17.0

Code	D(")	D(mm)	G	B(mm)	S(mm)	H(mm)	h(mm)	T1(mm)
009023	1/2"	23	M10	16	1.0	86	37	48
009028	3/4"	28	M10	16	1.0	86	34	48
009035	1"	35	M10	16	1.0	89	31	48
009044	1-1/4"	44	M10	16	1.0	98	29	49
009050	1-1/2"	50	M10	16	1.0	105	30	54
009062	2"	62	M10	16	1.0	117	32	62
009077	2-1/2"	77	M10	22	2.0	133	35	70
009090	3"	90	M10	22	2.0	146	32	76
009115	4"	115	M10	22	2.0	178	38	95
009142	5"	142	M12	25	3.0	222	49	121
009170	6"	170	M12	25	3.0	251	49	133
009221	8"	221	M12	25	3.0	308	59	168



## STEEL PIPE ROLLER



Code	Size	A	B	C	D	E	F	Steel
036001	2-1/2"	1/2"-13	1-7/8"	6"	3-3/16"	2"	3-1/4"	3/16"x1-1/4"
036002	3"	1/2"-13	2-3/16"	6-5/8"	3-1/2"	2"	3-7/8"	3/16"x1-1/4"
036003	3-1/2"	1/2"-13	2-1/2"	7-1/4"	3-3/4"	2"	4-3/8"	1/4"x1-1/4"
036004	4"	5/8"-11	2-3/4"	7-7/8"	4"	2"	4-7/8"	1/4"x1-1/2"
036005	5"	5/8"-11	3-3/8"	9-3/16"	4-9/16"	2"	5-15/16"	3/8"x1-3/4"
036006	6"	3/4"-10	3-15/16"	10-3/8"	5-1/6"	2"	7"	3/8"x2"
036007	8"	3/4"-10	5-1/6"	12-5/8"	6-1/16"	2"	9"	3/8"x2-1/2"

## CLEVIS TYPE STEEL CLAMP

Code	Size	Pipe	A	B	C	Bolt	G	H
037001	1/2"	20-25	3/8"	44	55	1/4"	3x25	3x25
037002	3/4"	26-30	3/8"	54	68	1/4"	3x25	3x25
037003	1"	32-36	3/8"	58	75	1/4"	3x25	3x25
037004	1-1/4"	38-43	3/8"	80	100	1/4"	3x25	3x25
037005	1-1/2"	47-51	3/8"	81	106	1/4"	3x25	3x25
037006	2"	60-64	3/8"	86	117	1/4"	3x25	3x25
037007	2-1/2"	75-80	1/2"	106	144	5/16"	3x30	3x30
037008	3"	87-92	1/2"	127	172	5/16"	3x30	3x30
037009	4"	113-118	5/8"	141	199	3/8"	4x30	3x30
037010	5"	138-142	5/8"	159	229	1/2"	4x30	3x30
037011	6"	159-166	3/4"	174	257	1/2"	4x38	3x38
037012	8"	207-219	7/8"	212	320	5/8"	4x45	4x45

## SHAPE RUNG SERIES



038001



038002

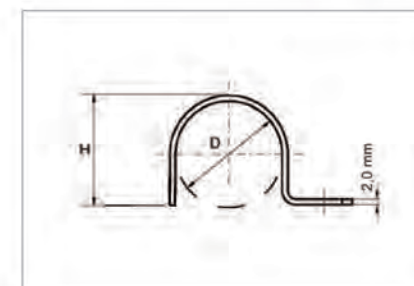
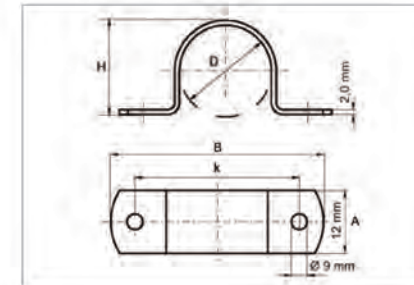


038003



038004

## CONDUIT CLAMP

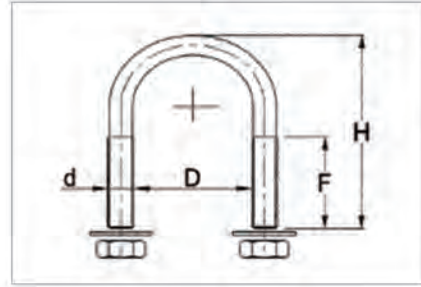


Code	D(mm)	B(mm)	S(mm)	H(mm)	k(mm)
011023	10	43	2.0	10	31
011028	12	50	2.0	13	32
011035	14	50	2.0	14	32
009044	16	55	2.0	16	34
011050	20	56	2.0	20	38
011062	22	62	2.0	22	47
011077	25	68	2.0	26	47
011090	28	72	2.0	30	50
011115	32	72	2.0	32	54
011142	40	85	2.0	40	61
011170	50	96	2.0	52	80
011221	60	98	2.0	54	82

Code	D(mm)	S(mm)	H(mm)
012023	10	2.0	10
012028	12	2.0	13
012035	14	2.0	14
009044	16	2.0	16
011050	20	2.0	20
012062	22	2.0	22
012077	25	2.0	26
012090	28	2.0	30
012115	32	2.0	32
012142	40	2.0	40
012170	50	2.0	52
012221	60	2.0	54



## U-BOLT PIPE CLAMP

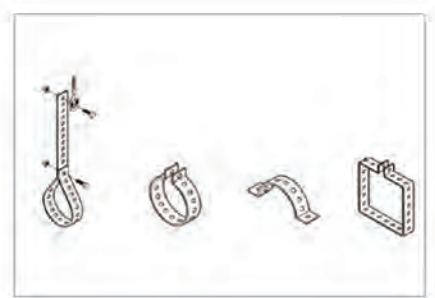
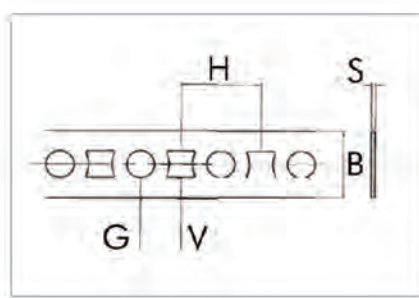


Art No.	D	d	F(mm)	H(mm)
022001	3/8"	M6	19	42
022002	1/2"	M6	25	48
022003	3/4"	M6	25	52
022004	1"	M6	25	60
022005	1-1/4"	M6	25	68
022006	1-1/2"	M8	30	80
022007	2"	M8	30	92
022008	2-1/2"	M8	30	108
022009	3"	M8	30	120
022010	4"	M8	35	149
022011	5"	M8	35	176
022012	6"	M10	45	211
022013	8"	M10	45	263
022014	10"	M10	45	317
022015	12"	M16	60	383

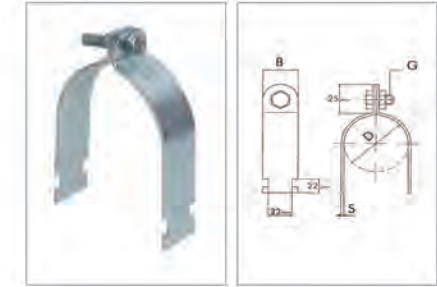


## STRAP IRON PRE-DRILLED

Art No.	V(mm)	G(mm)	H(mm)	BXS(mm)
029001	5.0 x 4.4	5	14.4	12 x 0.8
029002	7.0 x 6.0	7	20.0	17 x 0.8

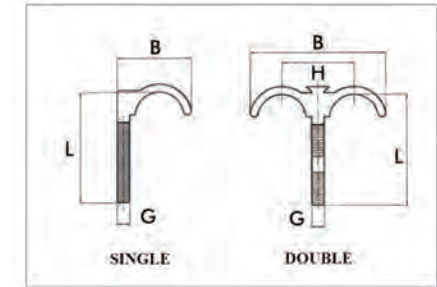


## SLOTING CLAMP FOR STRUT



Code	D(")	D(mm)	G	L(mm)	B(mm)	S(mm)
017018	3/8"	16-18	M6	20	32	1.5
017022	1/2"	20-22	M6	20	32	1.5
017026	3/4"	22-26	M6	20	32	1.5
017035	1"	30-35	M6	20	32	1.5
017045	1-1/4"	40-45	M6	20	32	1.5
017050	1-1/2"	45-50	M6	20	32	1.5
017060	2"	55-60	M8	20	32	2.0
017080	2-1/2"	75-80	M8	20	32	2.0
017090	3"	85-90	M8	20	32	2.0
017105	3-1/2"	100-105	M10	30	32	2.5
017120	4"	110-120	M10	30	32	2.5
017125	5"	--	M10	30	32	2.5
017150	6"	--	M10	30	32	3.0
017200	8"	--	M10	30	32	3.0
017250	10"	--	M10	30	32	3.0
017300	12"	--	M10	30	32	3.0

## STEEL PLUG CLAMP



Code	TYPE	L(mm)	G(mm)	H(mm)	B(mm)
018001	SINGLE	50	8	--	45
018002	SINGLE	80	8	--	45
018003	DOUBLE	50	8	43	80
018004	DOUBLE	80	8	43	80





**CONDUIT HANGER  
ZINC PLATED STEEL**




**Art No. 074001**

**STRUT CLAMP RUBBER  
ZINC PLATED STEEL**



**Art No. 075001**

**CONDUIT HANGER  
ZINC PLATED STEEL**



**Art No. 076001**

**L BAR  
ZINC PLATED STEEL**



**Art No. 074001**

**L BAR  
ZINC PLATED STEEL**




**Art No. 075001**

**L BAR  
ZINC PLATED STEEL**



**Art No. 076001**

**PIPE HANGER  
STAINLESS STEEL**




**Art No. 077001**

**PIPE HANGER  
COLORED STEEL**



**Art No. 078001**

**HEAVY DUTY CLAMP  
ZINC PLATED STEEL**



**Art No. 079001**

**Z FITTING  
ZINC PLATED STEEL**



**Art No. 077001**

**L FITTING  
ZINC PLATED STEEL**



**Art No. 078001**

**V FITTING  
ZINC PLATED STEEL**



**Art No. 079001**

**U BOLT CLAMP  
ZINC PLATED STEEL**



**Art No. 080001**

**HEAVY DUTY CLAMP  
CAST IRON PAINTED**



**Art No. 081001**

**ANCHOR BOLT  
ZINC PLATED STEEL**




**Art No. 082001**

**HANGER  
ZINC PLATED STEEL**




**Art No. 080001**

**BEAM CLAMP  
ZINC PLATED STEEL**



**Art No. 081001**

**BEAM CLAMP  
ZINC PLATED STEEL**

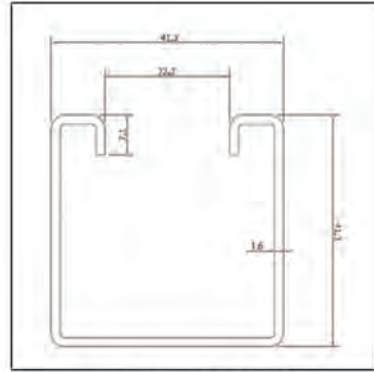
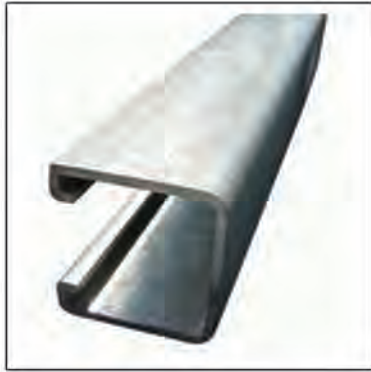


**Art No. 082001**

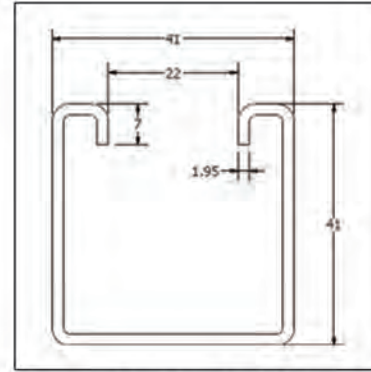


# CARBON STEEL STRUT CHANNEL

# CARBON STEEL STRUT CHANNEL



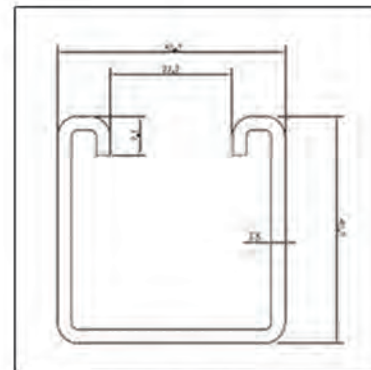
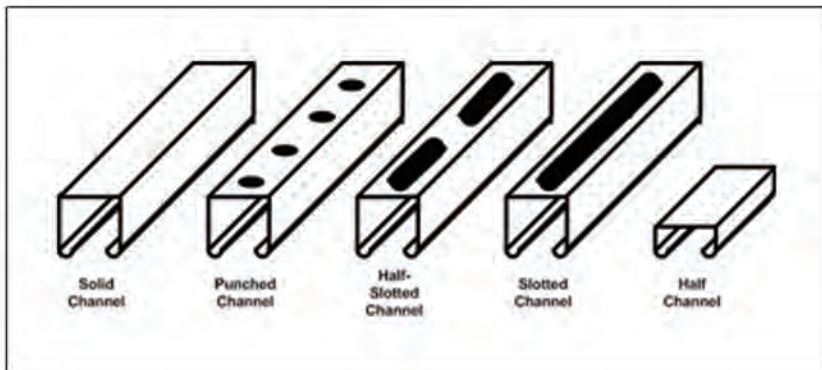
Art No. 577001



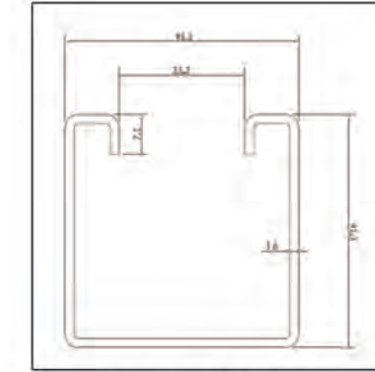
Art No. 577004

Art No.	Width	Height	Thickness
577001	41.3mm	41.3mm	1.6mm
577004	41.0mm	41.0mm	1.95mm
577007	41.3mm	41.3mm	2.5mm

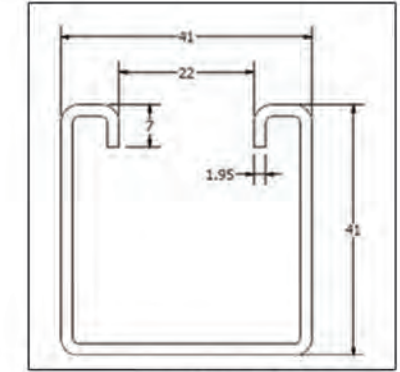
- ★ Material: Carbon steel
- ★ Surface: Zinc plated
- ★ Standard: GB
- ★ Packing: Pallet
- ★ Not drilled



Art No. 577007



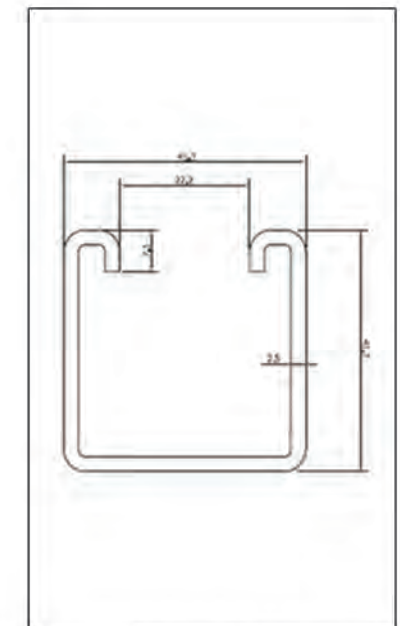
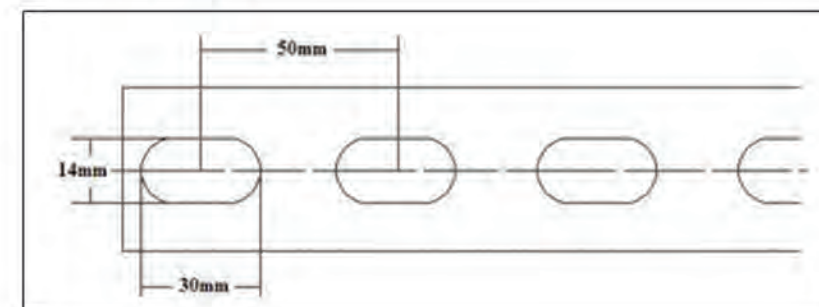
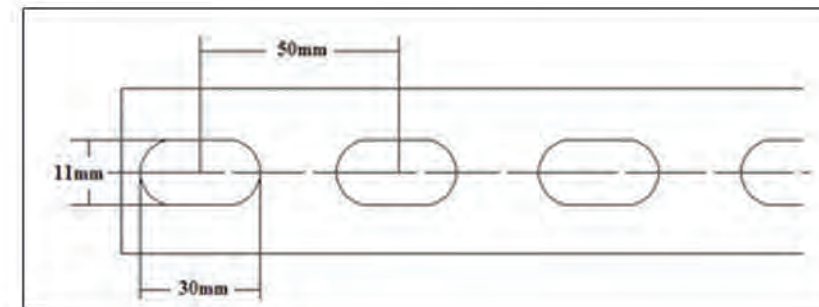
Art No. 577001



Art No. 577004

Art No.	Width	Height	Thickness
577002	41.3mm	41.3mm	1.6mm
577005	41.0mm	41.0mm	1.95mm
577008	41.3mm	41.3mm	2.5mm

- ★ Material: Carbon steel
- ★ Surface: Zinc plated
- ★ Standard: GB
- ★ Packing: Pallet
- ★ Drilled

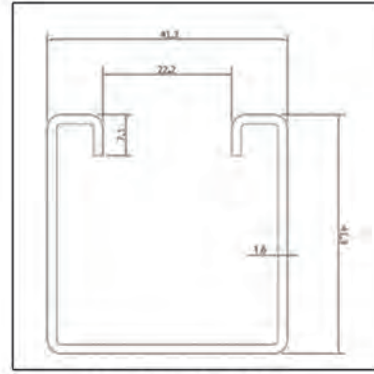


Art No. 577007

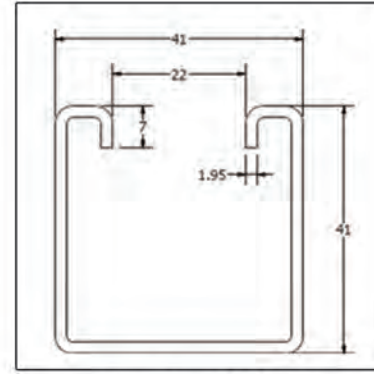


# CARBON STEEL STRUT CHANNEL

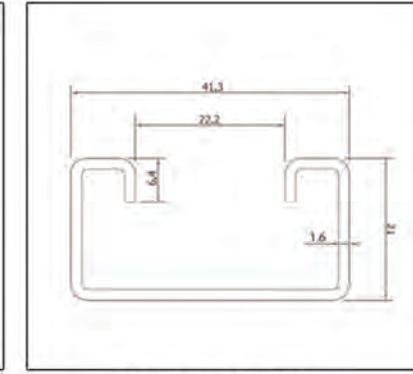
# CARBON STEEL STRUT CHANNEL



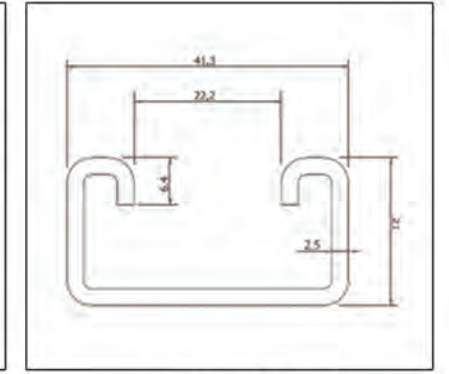
Art No. 577003



Art No. 577006



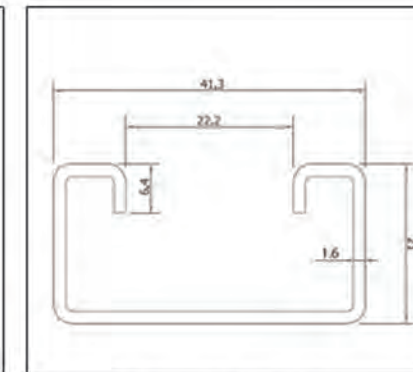
Art No. 577010



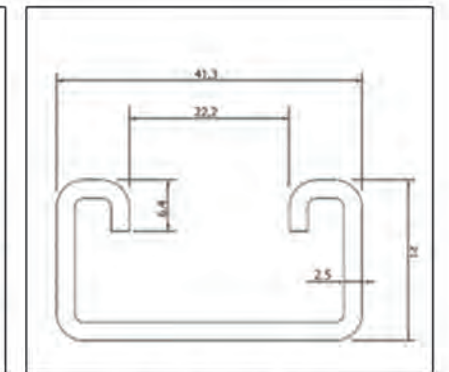
Art No. 577015

Art No.	Width	Height	Thickness
577002	41.3mm	41.3mm	1.6mm
577005	41.0mm	41.0mm	1.95mm
577008	41.3mm	41.3mm	2.5mm

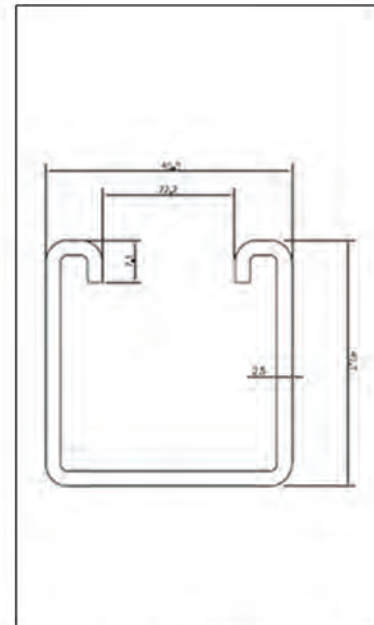
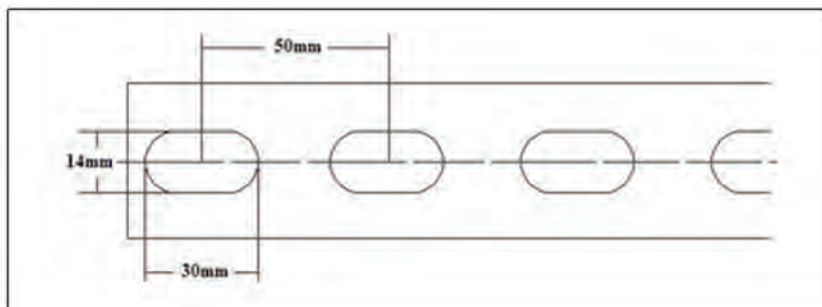
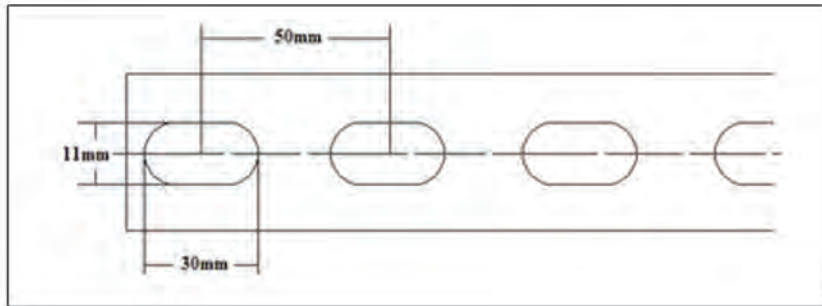
- ★ Material: Carbon steel
- ★ Standard: GB
- ★ Drilled
- ★ Surface: Yellow zinc plated
- ★ Packing: Pallet



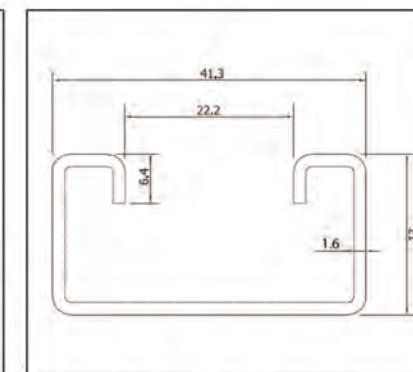
Art No. 577011



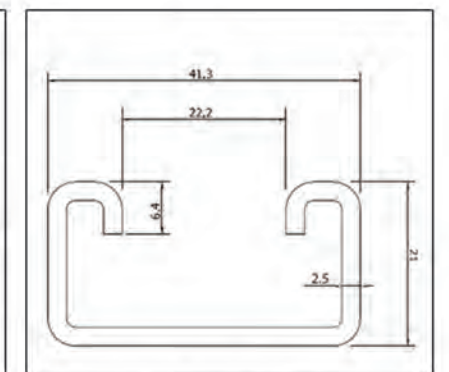
Art No. 577014



Art No. 577009



Art No. 577012



Art No. 577013

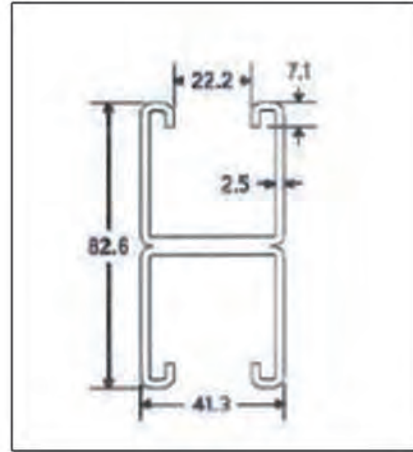
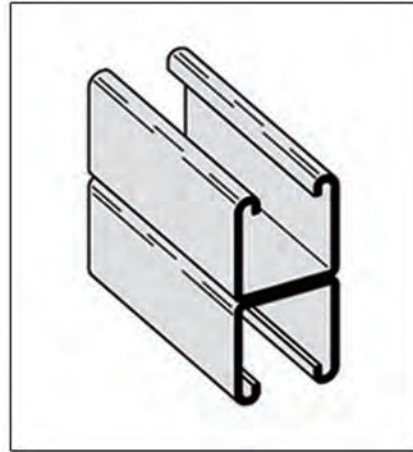


# CARBON STEEL STRUT CHANNEL

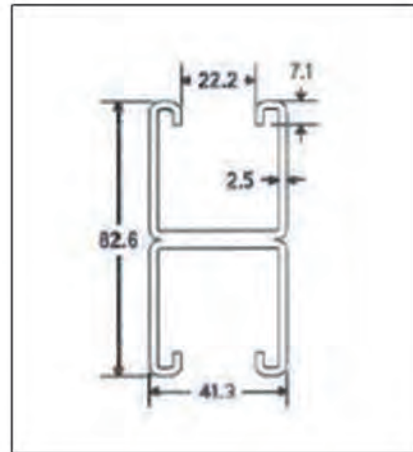
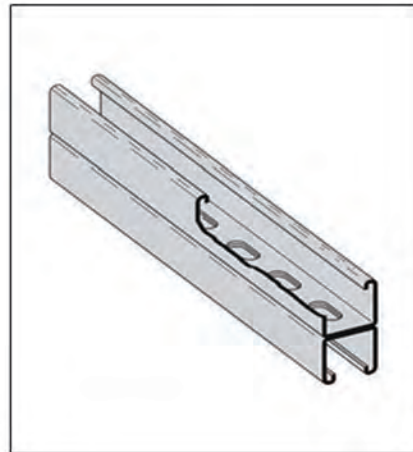
# OTHER DESIGNED STEEL CHANNEL



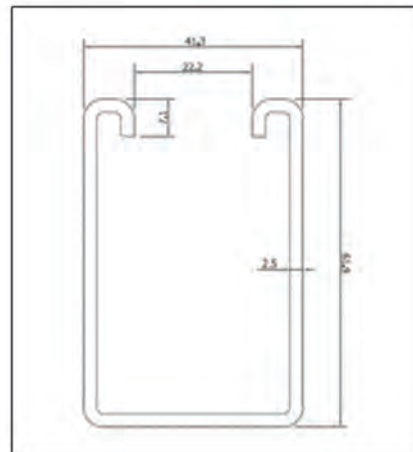
Art No. 577016



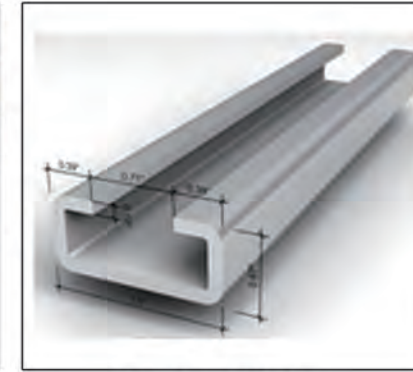
Art No. 577017



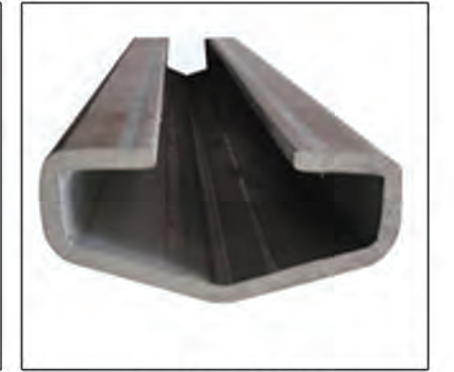
Art No. 577018



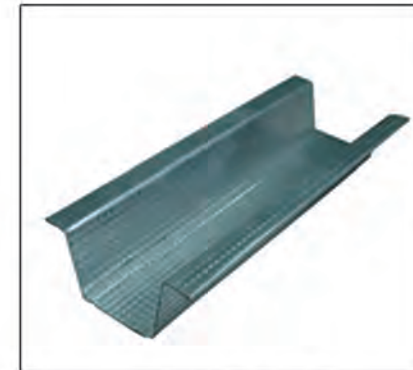
Art No. 577019



Art No. 577020



Art No. 577021



Art No. 577022



Art No. 577023



Art No. 577024



Art No. 577025



Art No. 577026



Art No. 577027



# OTHER DESIGNED STEEL CHANNEL

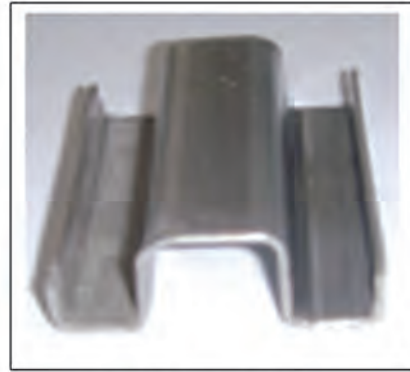
# OTHER DESIGNED STEEL CHANNEL



Art No. 577028



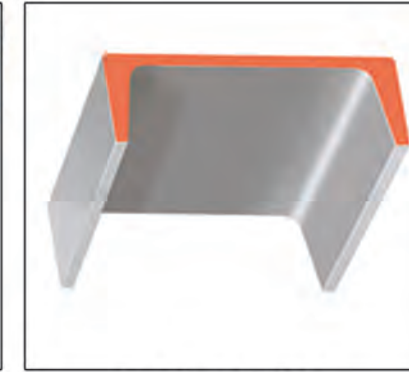
Art No. 577029



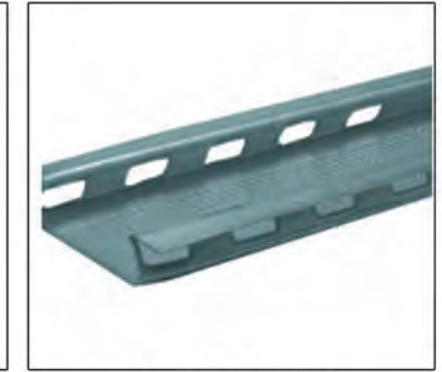
Art No. 577030



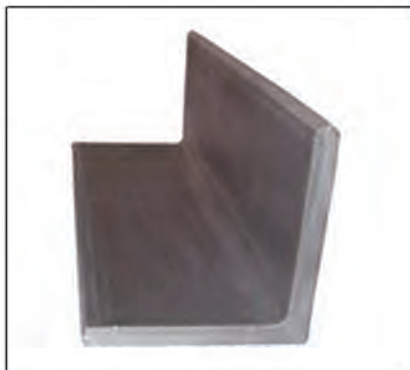
Art No. 577037



Art No. 577038



Art No. 577039



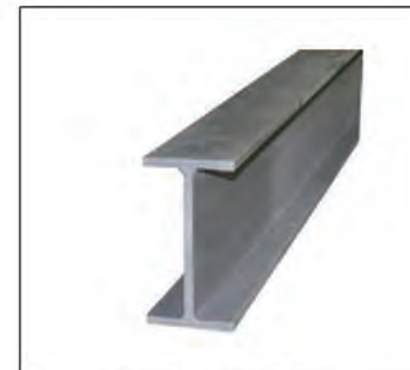
Art No. 577031



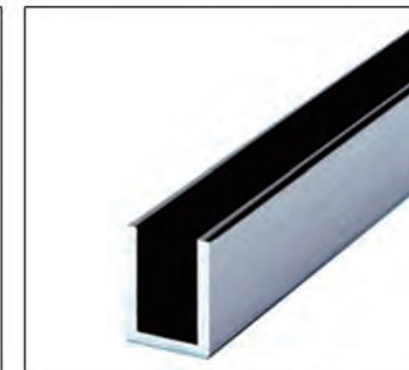
Art No. 577032



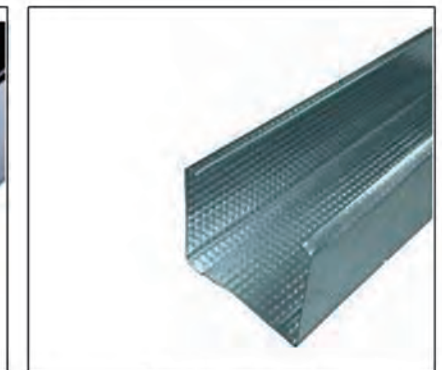
Art No. 577033



Art No. 577040



Art No. 577041



Art No. 577042



Art No. 577034



Art No. 577035



Art No. 577036



Art No. 577043



Art No. 577044



Art No. 577045



# OTHER DESIGNED STEEL CHANNEL

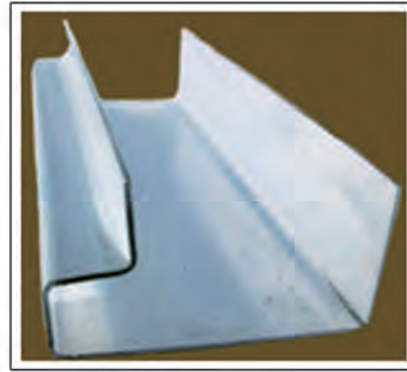
# STRUT CHANNEL FITTINGS



Art No. 577046



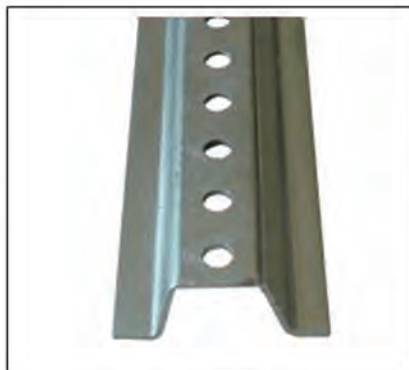
Art No. 577047



Art No. 577048



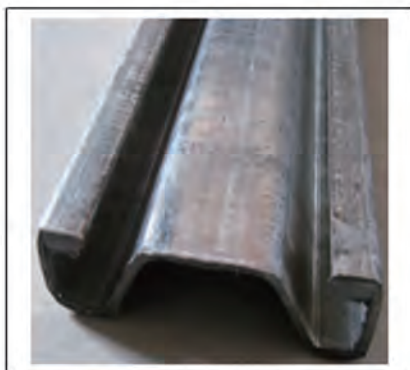
Art No. 577049



Art No. 577050



Art No. 577051



Art No. 577052



Art No. 577053



Art No. 577054

**SQUARE PLATE**  
HOLE M6/M8/M10/M12  
40x40x5 40x40x6 35x40x4.5

Art No. 009101

**HOLE PLATE**

Art No. 009102

**HOLE PLATE**

Art No. 009103

**HOLE PLATE**

Art No. 009104

**L BRACKET**

Art No. 009106

**TEE BRACKET**

Art No. 009107

**90° BRACKET**

Art No. 009111

**90° DELTA BRACKET LARGE**

Art No. 009114

**FLAT BRACKET**

Art No. 009109

**H/D ANGLE**

Art No. 009116

**90° ANGLE TEE RIGHT HAND**

Art No. 009121

**BASE PLATE**

Art No. 009123



# STRUT CHANNEL FITTINGS

# STRUT CHANNEL FITTINGS



**BEAM CLAMP**

Art No. 009124

**ANGLE BRACKET 30°/45°/60°**

Art No. 009126

**ANGLE BRACKET 30°/45°/60°**

Art No. 009128

**ADJUSTABLE BRACE**

Art No. 009149

**5 HOLE DOUBLE CONNER**

Art No. 009150

**POST BASE FOR 41 STRUT**

Art No. 009151

**Z BRACKET TOP HAT**

Art No. 009130

**Z TYPE BEAM CLAMP**

Art No. 009132

**BEAM CLAMP**

Art No. 009135

**POST BASE FOR 41 STRUT**

Art No. 009152

**POST BASE FOR 41 STRUT**

Art No. 009153

**5 HOLE TEE GUSSET PLATE**

Art No. 009154

**BASE PLATE WITH FIX**

Art No. 009139

**SINGLE DELTA PLATE**

Art No. 009141

**CHANNEL TEE BRACKET**

Art No. 009143

**5 HOLE CROSS PLATE**

Art No. 009155

**4 HOLE CONER PLATE L SHAPE**

Art No. 009156

**POST BASE FOR DOUBLE STRUT**

Art No. 009157

**BEAM CLAMP**

Art No. 009144

**BEAM CLAMP BRACKET**

Art No. 009145

**ADJUSTABLE BRACE**

Art No. 009148

**POST BASE FOR 41 STRUT**

Art No. 009158

**CLOSED POST BASE 14 HOLE**

Art No. 009159

**HOLE CONER PLATE**

Art No. 009160



# STRUT CHANNEL FITTINGS

# STEEL PIPE NIPPLE



**4 HOLE CONER LEFT**



Art No. 009161

**4 HOLE CONER RIGHT**



Art No. 009162

**CANTILEVER ARM**



150mm  
300mm  
400mm  
450mm  
600mm  
750mm

Art No. 009163

**NO TURN SQUARE WASHERS**

HOLE M6/M8/M10/M12  
SIZE: 40X40X6



Art No. 009164

**STRUT NUT WITHOUT SPRING**

M6/M8/M10/M12  
THICKNESS: 6/8/10/12MM



Art No. 009165

**STRUT NUT WITH SHORT SPRING**

M6/M8/M10/M12  
THICKNESS: 6/8/10/12MM



Art No. 009166

**STRUT NUT WITH CONICAL SPRING**

1/4"/3/8"/1/2"/5/16"  
THICKNESS: 9.3/9.4MM



Art No. 009167

**STRUT NUT WITH TOP SPRING**

1/4"/3/8"/1/2"  
THICKNESS: 9.3/9.4/12.3MM



Art No. 009168

**STRUT NUT WITH LONG SPRING**

M6/M8/M10/M12  
THICKNESS: 6/8/10/12MM



Art No. 009169

**STRUT NUT WITH PLASTIC**

M6/M8/M10/M12  
THICKNESS: 6/8MM



Art No. 009170

**STRUT NUT WITH PLASTIC**

/M8/M10/M12  
THICKNESS: 6/8MM



Art No. 009171

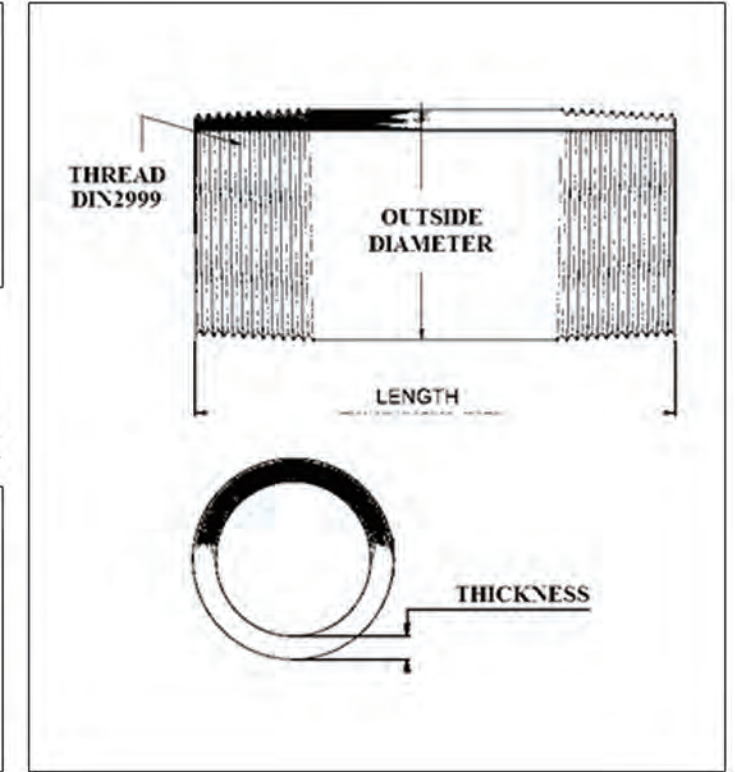
**WEDGE NUT**

M6/M8/M10



Art No. 009172

## DIN2999 STEEL LONG PIPE NIPPLE GALV



## DIN2999 STEEL LONG PIPE NIPPLE BLACK



Art No.		SIZE	DIA(mm)	THICKNESS(mm)		LENGTH(mm)
GALV	BLACK			HEAVY	LIGHT	
203001	204001	1/8"	10.2	2.6	2.0	30-500
203002	204002	1/4"	13.5	2.9	2.3	30-500
203003	204003	3/8"	17.2	2.9	2.3	30-500
203004	204004	1/2"	21.3	3.2	2.6	40-1000
203005	204005	3/4"	26.9	3.2	2.6	40-1000
203006	204006	1"	33.7	4.0	3.2	50-1000
203007	204007	1-1/4"	42.4	4.0	3.2	50-1000
203008	204008	1-1/2"	48.3	4.0	3.2	50-1000
203009	204009	2"	60.3	4.5	3.6	60-1000
203010	204010	2-1/2"	76.1	4.5	3.6	80-1000
203011	204011	3"	88.9	5.0	4.0	80-1000
203012	204012	4"	114.3	5.4	4.5	100-1000
203013	204013	5"	139.7	5.4	5.0	120-1000
203014	204014	6"	165.1	5.4	5.0	120-1000





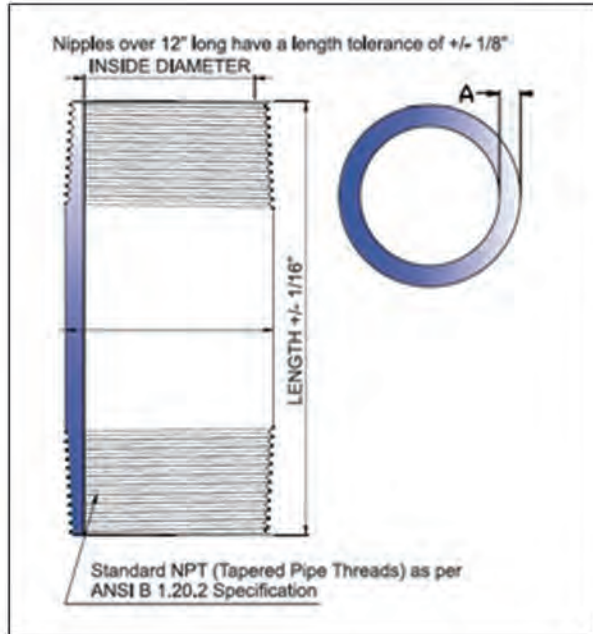
# STEEL PIPE NIPPLE

# STEEL PIPE NIPPLE



SEAMLESS STEEL PIPE NIPPLE NPT THREAD GALV

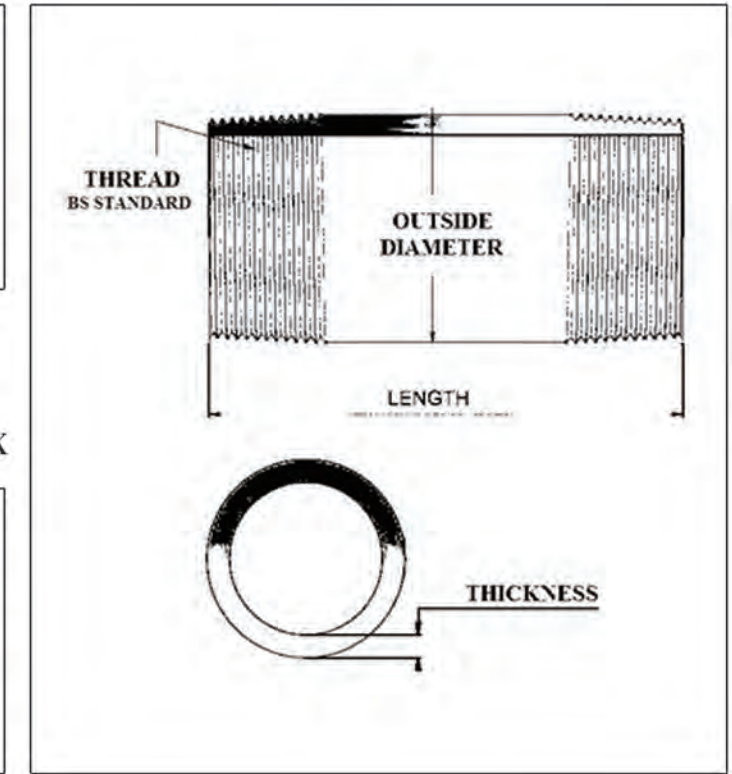
Art No.	Size	Length		Thickness
		Min	Max	
201001	1/8"	3/4"	12"	0.10
201002	1/4"	7/8"	12"	0.12
201003	3/8"	1"	12"	0.13
201004	1/2"	1-1/8"	12"	0.15
201005	3/4"	1-3/8"	12"	0.15
201006	1"	1-1/2"	12"	0.18
201007	1-1/4"	1-5/8"	12"	0.19
201008	1-1/2"	1-3/4"	12"	0.20
201009	2"	2"	12"	0.22
201010	2-1/2"	2-1/2"	12"	0.28
201011	3"	2-5/8"	12"	0.30
201012	4"	2-7/8"	12"	0.34



SEAMLESS STEEL PIPE NIPPLE NPT THREAD BLACK



BS STANDARD STEEL LONG PIPE NIPPLE GALV



BS STANDARD STEEL LONG PIPE NIPPLE BLACK



End Finishes	
Standard End Finish	Special End Finishes
<p><b>Tapered Pipe Thread (NPT)</b> Furnished unless special finish requested.</p>	<p><b>Straight Pipe Thread</b></p> <p><b>Roller Cut</b> Furnished when specified on order. (Not deburred.)</p> <p><b>Grooved</b></p> <p><b>Reamed and Chamfered</b> End square cut and bevelled on O.D. at 35° ±10° to axis. Inside burrs removed.</p> <p><b>Square Cut</b> End square cut to central axis. All burrs removed. (Special Pricing)</p>

Art No.		SIZE	DIA(mm)	THICKNESS(mm)		LENGTH(mm)
GALV	BLACK			HEAVY	LIGHT	
205001	206001	1/8"	10.2	2.6	2.0	30-500
205002	206002	1/4"	13.5	2.9	2.3	30-500
205003	206003	3/8"	17.2	2.9	2.3	30-500
205004	206004	1/2"	21.3	3.2	2.6	40-1000
205005	206005	3/4"	26.9	3.2	2.6	40-1000
205006	206006	1"	33.7	4.0	3.2	50-1000
205007	206007	1-1/4"	42.4	4.0	3.2	50-1000
205008	206008	1-1/2"	48.3	4.0	3.2	50-1000
205009	206009	2"	60.3	4.5	3.6	60-1000
205010	206010	2-1/2"	76.1	4.5	3.6	80-1000
205011	206011	3"	88.9	5.0	4.0	80-1000
205012	206012	4"	114.3	5.4	4.5	100-1000
205013	206013	5"	139.7	5.4	5.0	120-1000
205014	206014	6"	165.1	5.4	5.0	120-1000



# SPECIAL NIPPLE

# BRASS PIPE NIPPLE



**CARBON STEEL LONG THREAD NIPPLE**  
 SIZE: 1/2" - 6"  
 LENGTH: 100-1000MM



Art No. 207001

**CARBON STEEL CLOSED THREAD NIPPLE**  
 SIZE: 3/8" - 6"



Art No. 208001

**CARBON STEEL HOSE THREAD NIPPLE**  
 SIZE: 1/2" - 6"  
 LENGTH: 100-1000MM



Art No. 209001

**CARBON STEEL ONE THREAD NIPPLE**  
 SIZE: 1/2" - 6"  
 LENGTH: 100-1000MM



Art No. 210001

**CARBON STEEL HOSE THREAD NIPPLE**  
 SIZE: 1/2" - 6"  
 LENGTH: 100-1000MM




Art No. 211001

**CARBON STEEL REDUCING NIPPLE**  
 SIZE: 1/2" - 6"  
 LENGTH: 100-1000MM



Art No. 212001

**CARBON STEEL 90° ELBOW NIPPLE**  
 SIZE: 3/8" - 4"



Art No. 213001

**MALLEABLE IRON HEX NIPPLE**  
 SIZE: 3/8" - 4"



Art No. 214001

**STAINLESS STEEL PIPE NIPPLE 304/316**  
 SIZE: 1/2" - 4"



Art No. 215001

## AMERICAN STANDARD BRASS PIPE NIPPLE



### DOUBLE THREAD END



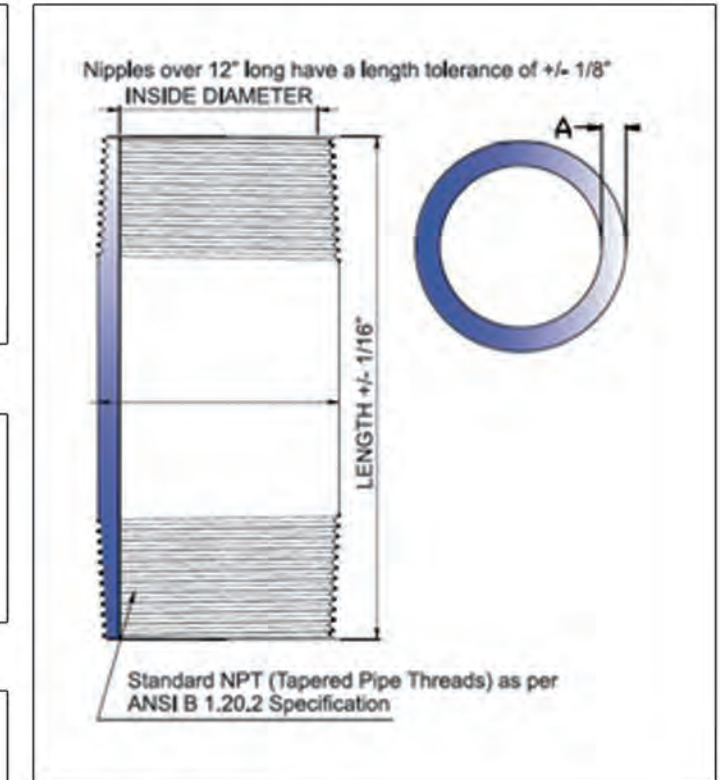
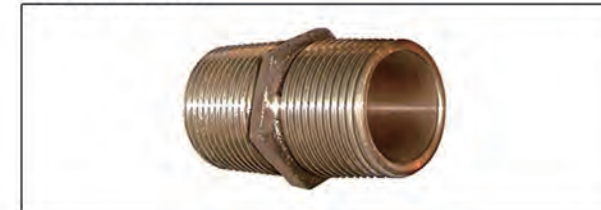
### SINGLE THREAD END



### CLOSED THREAD TYPE



### HEX NIPPLE



### SPECIFICATION:

Art No.	Size	Length		Thickness
		Min	Max	
221001	1/8"	3/4"	12"	0.10
221002	1/4"	7/8"	12"	0.12
221003	3/8"	1"	12"	0.13
221004	1/2"	1-1/8"	12"	0.15
221005	3/4"	1-3/8"	12"	0.15
221006	1"	1-1/2"	12"	0.18
221007	1-1/4"	1-5/8"	12"	0.19
221008	1-1/2"	1-3/4"	12"	0.20
221009	2"	2"	12"	0.22
221010	2-1/2"	2-1/2"	12"	0.28
221011	3"	2-5/8"	12"	0.30
221012	4"	2-7/8"	12"	0.34



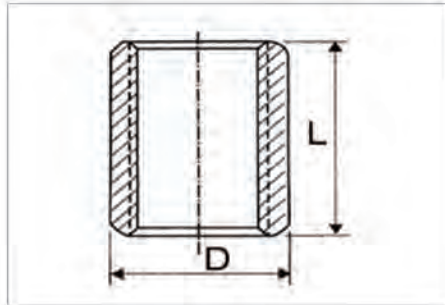
# CARBON STEEL SOCKET

# CARBON STEEL SOCKET



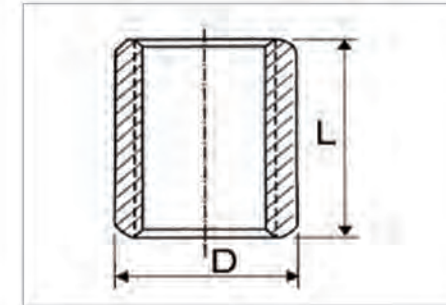
### BS STANDARD CARBON STEEL SOCKET GALV

Art No.	Size	D (mm)	L (mm)
231001	1/4"	18.5	27
231002	3/8"	22.0	28
231003	1/2"	27.0	37
231004	3/4"	32.5	39
231005	1"	39.5	46
231006	1-1/4"	49.0	51
231007	1-1/2"	56.0	51
231008	2"	68.0	60
231009	2-1/2"	84.0	69
231010	3"	98.0	75
231011	4"	124.0	87
231012	5"	151.0	96
231013	6"	178.0	96



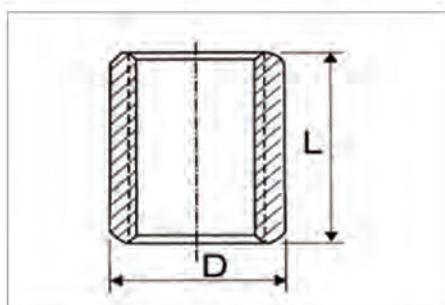
### US STANDARD CARBON STEEL SOCKET GALV

Art No.	Size	D (")	L (")
233001	1/8"	0.563	3/4"
233002	1/4"	0.719	1-1/4"
233003	3/8"	0.875	1-1/4"
233004	1/2"	1.063	1-1/2"
233005	3/4"	1.313	1-5/16"
233006	1"	1.576	1-15/16"
233007	1-1/4"	1.900	2"
233008	1-1/2"	2.200	2"
233009	2"	2.750	2-1/16"
233010	2-1/2"	3.250	3-1/16"
233011	3"	4.000	3-3/16"
233012	3-1/2"	4.625	3-5/16"
233013	4"	5.000	3-5/16"
233014	5"	6.296	3-11/16"
233015	6"	7.390	3-15/16"



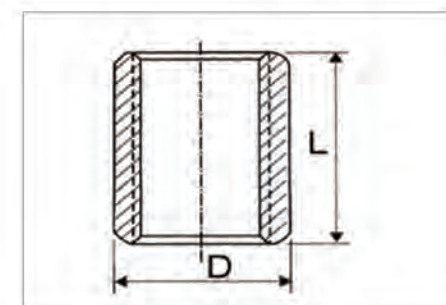
### BS STANDARD CARBON STEEL SOCKET BLACK

Art No.	Size	D (mm)	L (mm)
232001	1/4"	18.5	27
232002	3/8"	22.0	28
232003	1/2"	27.0	37
232004	3/4"	32.5	39
232005	1"	39.5	46
232006	1-1/4"	49.0	51
232007	1-1/2"	56.0	51
232008	2"	68.0	60
232009	2-1/2"	84.0	69
232010	3"	98.0	75
232011	4"	124.0	87
232012	5"	151.0	96
232013	6"	178.0	96



### US STANDARD CARBON STEEL SOCKET BLACK

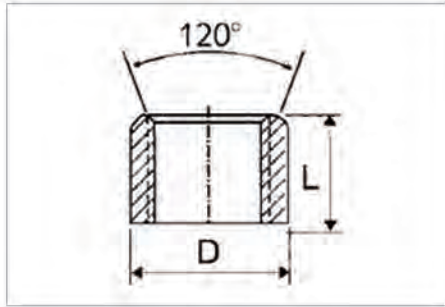
Art No.	Size	D (")	L (")
234001	1/8"	0.563	3/4"
234002	1/4"	0.719	1-1/4"
234003	3/8"	0.875	1-1/4"
234004	1/2"	1.063	1-1/2"
234005	3/4"	1.313	1-5/16"
234006	1"	1.576	1-15/16"
234007	1-1/4"	1.900	2"
234008	1-1/2"	2.200	2"
234009	2"	2.750	2-1/16"
234010	2-1/2"	3.250	3-1/16"
234011	3"	4.000	3-3/16"
234012	3-1/2"	4.625	3-5/16"
234013	4"	5.000	3-5/16"
234014	5"	6.296	3-11/16"
234015	6"	7.390	3-15/16"





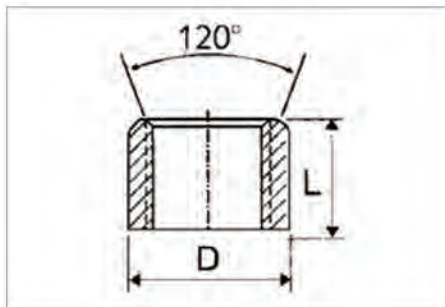
# CARBON STEEL SOCKET

# CAMLOCK COUPLING



### DIN2986 CARBON STEEL HALF SOCKET GALV

Art No.	Size	D (mm)	L (mm)
237001	1/8"	15.000	17
237002	1/4"	18.500	25
237003	3/8"	21.300	26
237004	1/2"	26.600	34
237005	3/4"	31.800	36
237006	1"	39.500	43
237007	1-1/4"	48.300	48
237008	1-1/2"	54.500	48
237009	2"	66.200	56
237010	2-1/2"	82.000	65
237011	3"	95.000	71
237012	4"	121.400	83
237013	5"	146.300	92
237014	6"	173.300	92



### DIN2986 CARBON STEEL HALF SOCKET BLACK

Art No.	Size	D (mm)	L (mm)
238001	1/8"	15.000	17
238002	1/4"	18.500	25
238003	3/8"	21.300	26
238004	1/2"	26.600	34
238005	3/4"	31.800	36
238006	1"	39.500	43
238007	1-1/4"	48.300	48
238008	1-1/2"	54.500	48
238009	2"	66.200	56
238010	2-1/2"	82.000	65
238011	3"	95.000	71
238012	4"	121.400	83
238013	5"	146.300	92
238014	6"	173.300	92



A TYPE



C TYPE



E TYPE



DC TYPE

Art No.	Size
773001	1/2"
773002	3/4"
773003	1"
773004	1-1/2"
773005	2"
773006	3"
773007	4"
773008	6"
773009	8"

Art No.	Size
775001	1/2"
775002	3/4"
775003	1"
775004	1-1/2"
775005	2"
775006	3"
775007	4"
775008	6"
775009	8"

Art No.	Size
777001	1/2"
777002	3/4"
777003	1"
777004	1-1/2"
777005	2"
777006	3"
777007	4"
777008	6"
777009	8"

Art No.	Size
779001	1/2"
779002	3/4"
779003	1"
779004	1-1/2"
779005	2"
779006	3"
779007	4"
779008	6"
779009	8"



B TYPE



D TYPE



F TYPE



DPTYPE

Art No.	Size
774001	1/2"
774002	3/4"
774003	1"
774004	1-1/2"
774005	2"
774006	3"
774007	4"
774008	6"
774009	8"

Art No.	Size
776001	1/2"
776002	3/4"
776003	1"
776004	1-1/2"
776005	2"
776006	3"
776007	4"
776008	6"
776009	8"

Art No.	Size
778001	1/2"
778002	3/4"
778003	1"
778004	1-1/2"
778005	2"
778006	3"
778007	4"
778008	6"
778009	8"

Art No.	Size
780001	1/2"
780002	3/4"
780003	1"
780004	1-1/2"
780005	2"
780006	3"
780007	4"
780008	6"
780009	8"



# NYLON / PVC CABLE TIE

# HYDRAULIC PIPE CLAMP SERIES



**LENGTH: 60-1200MM  
WIDTH: 2.5 - 9.0MM**

**Art No. 127501**

**LENGTH: 6" / 8"  
WIDTH: 3.6 - 4.8MM**

**Art No. 127502**

**LENGTH: 4" / 8"  
WIDTH: 1.5 - 1.6MM**

**Art No. 127503**

**LENGTH: 4" / 8"  
WIDTH: 2.5 - 3.0 MM**

**Art No. 127504**

**LENGTH: 100MM  
WIDTH: 2.5MM**

**Art No. 127505**

**LENGTH: 150 - 300 MM  
WIDTH: 7.2MM**

**Art No. 127506**

**LENGTH: 125-350MM  
WIDTH: 6.0 - 9.0MM**

**Art No. 127507**

**O.D. : 6 - 25 MM  
WRAPPING RANGE: 4-130**

**Art No. 127508**

**LENGTH: 100-1050MM  
WIDTH: 4.6 - 7.9MM**

**Art No. 127509**

**048001**

**048002**

**048003**

**048004**

**048005**

**048006**

**048007**

**048008**

**048009**

**048010**

**048011**

**048012**

**048013**

**048014**

**048015**

**048016**



# RIGGING HARDWARE

# RIGGING HARDWARE



FISHING	G209	G210	G2130	G2150
G213	G215	DIN82101-C	DIN82101	WEB
JIS D	JIS BOW	D TYPE	BOW TYPE	D TYPE
EUROPEAN	COMMERCIAL	G411	G414	DIN6899A
BS464	OPEN TYPE	TUBE TYPE	WELD TYPE	JISA

US MALLEABLE	DIN741	DIN1142	FORGED TYPE	AUSTRALIA
BS462	A TYPE	B TYPE	HEAVY TYPE	ITALY TYPE
JIS TYPE	BOX TYPE	US TYPE	COMMERCIAL	JIS FRAME
DIN1480	DD TYPE	KOREAN TYPE	COMMERCIAL	TUBE TYPE
JIS TYPE	JIS TYPE	G279	G275	G277



# RIGGING HARDWARE

# RIGGING HARDWARE



DIN582	DIN580	BS4278-1	BS4278-3	BS3974
CLEVIS GRAB	CLEVIS SLIP	CLEVIS SLING	CLEVIS WING	CLEVIS SAFETY
EYE SLIP	EYE WING	EYE SAFETY	EYE SWIVEL	MINI EYE
BEND HOOK	US TYPE	G320	EYE GRAB	SHANK HOOK
BRITISH TYPE	R HOOK	SNAP HOOK	T HOOK	CONTAINER

S HOOK	RING	REPAIR LINK	QUICK LINK	SANPHOOK
SNAP HOOK	SNAP HOOK	SNAP HOOK	SNAP HOOK	SNAP HOOK
RACHET	RACHET	RACHET	RACHET	RACHET
RACHET	RACHET	RACHET	RACHET	RACHET
JIS TYPE	AUSTRALIA	DIN763/766	DIN5685	HOOK CHAIN



# ANCHOR BOLT

# FASTENERS



**ANCHOR BOLT  
ZINC PLATED STEEL**



**Art No. 293001**

**WEDGE ANCHOR  
ZINC PLATED STEEL**



**Art No. 293002**

**HOOK ANCHOR  
ZINC PLATED STEEL**



**Art No. 293003**

**HEX BOLT  
ZINC PLATED STEEL / SS**



**Art No. 709001**

**CARRIAGE BOLT  
ZINC PLATED STEEL / SS**



**Art No. 709002**

**FLANGE BOLT  
ZINC PLATED STEEL**



**Art No. 709003**

**TUBE ANCHOR  
ZINC PLATED STEEL**



**Art No. 293004**

**HEX ANCHOR  
ZINC PLATED STEEL**



**Art No. 293005**

**ANTI-SLIP ANCHOR  
ZINC PLATED STEEL**



**Art No. 293006**

**HEX NUT  
ZINC PLATED STEEL / SS**



**Art No. 709004**

**FIXING NUT  
ZINC PLATED STEEL**



**Art No. 709005**

**LONG HEX NUT  
ZINC PLATED STEEL**



**Art No. 709006**

**DROP IN ANCHOR  
ZINC PLATED STEEL**



**Art No. 293007**

**DROP IN ANCHOR  
ZINC PLATED STEEL**



**Art No. 293008**

**DROP IN ANCHOR  
ZINC PLATED STEEL**




**Art No. 293009**

**SCREW  
ZINC PLATED STEEL**




**Art No. 709007**

**SCREW  
ZINC PLATED STEEL**



**Art No. 709008**

**THREAD BAR  
ZINC PLATED STEEL**



**Art No. 709009**